

保温截止阀

产品概述 Product overview

保温截止阀主要用于石油、化工、冶金、制药等各类系统中，以输送常温下会凝固的高粘度介质，BJ41W 夹套保温截止阀的保温夹套焊装于阀门的两法兰之间，阀门的侧面、底部设置有保温夹套的两个连接口。保温截止阀特别适用于化工、化肥行业的管路上，夹套内涵入蒸汽能防止介质结晶。

Insulation cut-off valve is mainly used in petroleum, chemical, metallurgical, pharmaceutical and other kinds of systems, with flow of high viscosity medium will under normal temperature solidification, BJ41W jacketed heat preservation heat preservation jacket of cut-off valve welding on the valve between the flanges, valves at the bottom of the profile, set up a heat jacket of the two connectors. Insulation cut-off valve is especially suitable for chemical industry, chemical fertilizer pipe road, jacketed connotation into the steam can prevent the crystallization medium.

产品特点 Product features

- 结构简单，外型设计独特。密封面硬化处理以抗磨损。阀颈轴衬材料具有低摩擦系数，大大地降低扭力和轴面磨损，以及消除表面擦伤。
- 阀中腔装置是由两件组成，快速拆装及在原地做内部修理。倾斜轴构造和最佳流道的形状、减低流向之变换减少降压数。
- 阀座之整体表面硬化：提供确实的关闭和阀座之长久使用寿命。螺纹盖：防止卡死和易于装拆。阀轴填垫装置：利用渗有碳纤维裂隙的圆环之柔软石墨做填料，以作最佳之防漏和经久耐用。
- The structure is simple, unique appearance design. Sealing surface hardening treatment in resistance to wear. Valve neck bush material has low friction coefficient, greatly reduce the torque and axial surface wear, and eliminate the surface scratches.
- The valve lumen device is composed of two parts, internal repair fast disassembling and in situ. Inclined shaft structure and the shape of the best runner, reduce reduce step-down flow of transformation.
- The whole surface hardening of seat: provide really close and long service life of the seat. Screw cover: prevent death and easy to install. Valve shaft bolus device: using mixed with carbon fiber fracture ring of soft graphite packing, to make the best of leak proof and durable.

产品采用标准 Product Specification

| 设计标准 Design standard | 结构长度 Structural length | 连接法兰 Flanged ends | 试验和检验 Inspection and test | 压力 - 温度 Pressure Temperature |
|-------------------------|---------------------------|----------------------|------------------------------|---------------------------------|
| GB/T12235-89 | GB 12221 | JB 79 | GB/T 13927 JB/T 9092 | GB 9131 |

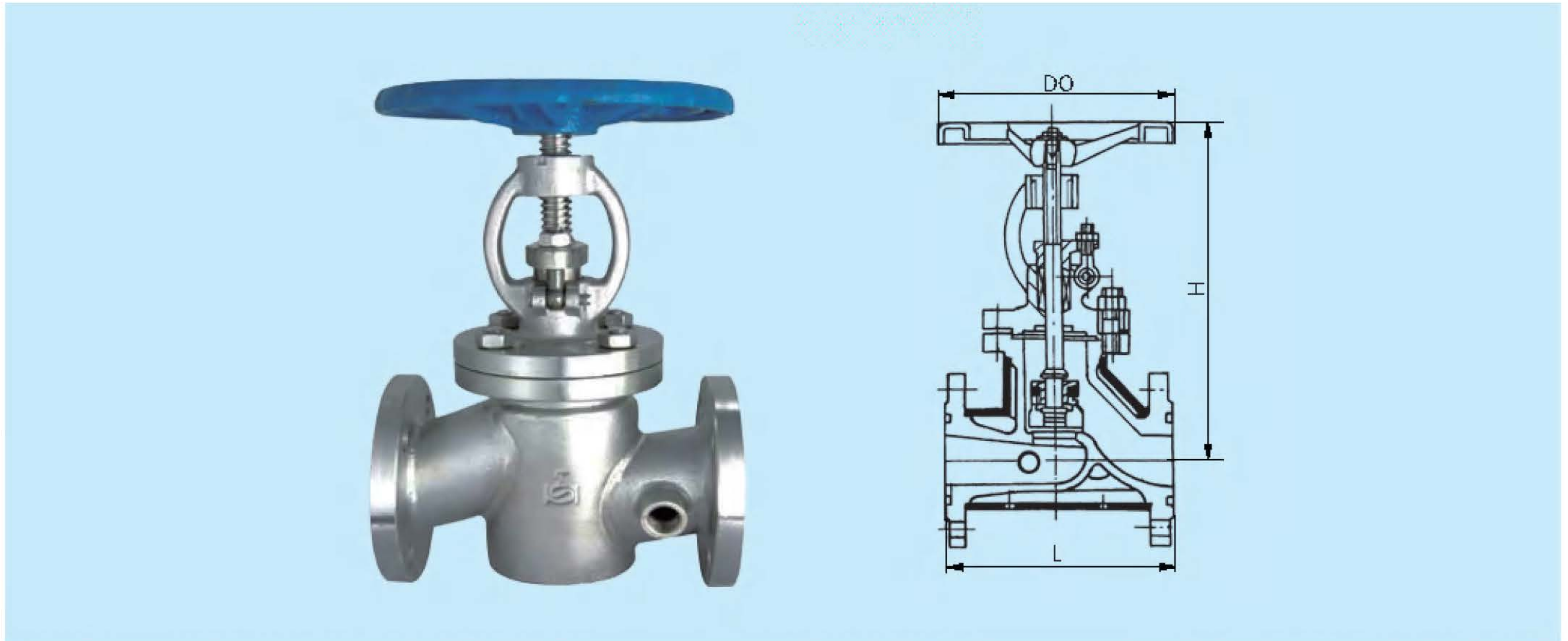
压力试验 Pressure test (MPa)

| 公称压力 Nominal Pressure | 1.6 | 2.5 | 4.0 | 6.4 | 10.0 | 16.0 |
|--------------------------|---------|------|-----|------|------|------|
| 强度试验 Shell | 2.4 | 3.75 | 6.0 | 9.6 | 15.0 | 24.0 |
| 水密封试验 Water Seal Test | 1.76 | 2.75 | 4.4 | 7.04 | 11.0 | 17.6 |
| 上密封试验 Backseat Test | 1.76 | 2.75 | 4.4 | 7.04 | 11.0 | 17.6 |
| 气密封试验 Air Seal Test | 0.4~0.7 | | | | | |

主要零件材料 The major parts material

| 名称 name | 材质 Material | 名称 name | 材质 Material |
|----------------------------|-----------------------|-----------------------------|---------------------|
| 阀体 Body | ZG0Cr18Ni9 WCB | 销轴 pin | 2Cr13 35 |
| 阀瓣 Disc | 0Cr18Ni9 2Cr13 | 开口销 Cotter pin | 1Cr13 20 |
| 对开圆环 Ring off | 0Cr18Ni9 25 | 填料压盖 Gland | ZG0Cr18Ni9 WCB |
| 阀杆 Stem | 0Cr18Ni9 2Cr13 | 螺栓 Bolt | 0Cr18Ni9 35CrMoA |
| 中法兰垫片 The flange gasket | PTFE 304+ 石墨 graphite | 止退螺钉 Only the back screw | 25 |
| 阀盖 Valve cover | ZG0Cr18Ni9 WCB | 手轮 Handwheel | KTH330-08 KTH330-08 |
| 填料 packing | PTFE 石墨 graphite | 垫片 Gasket | 2Cr13 Q235 |

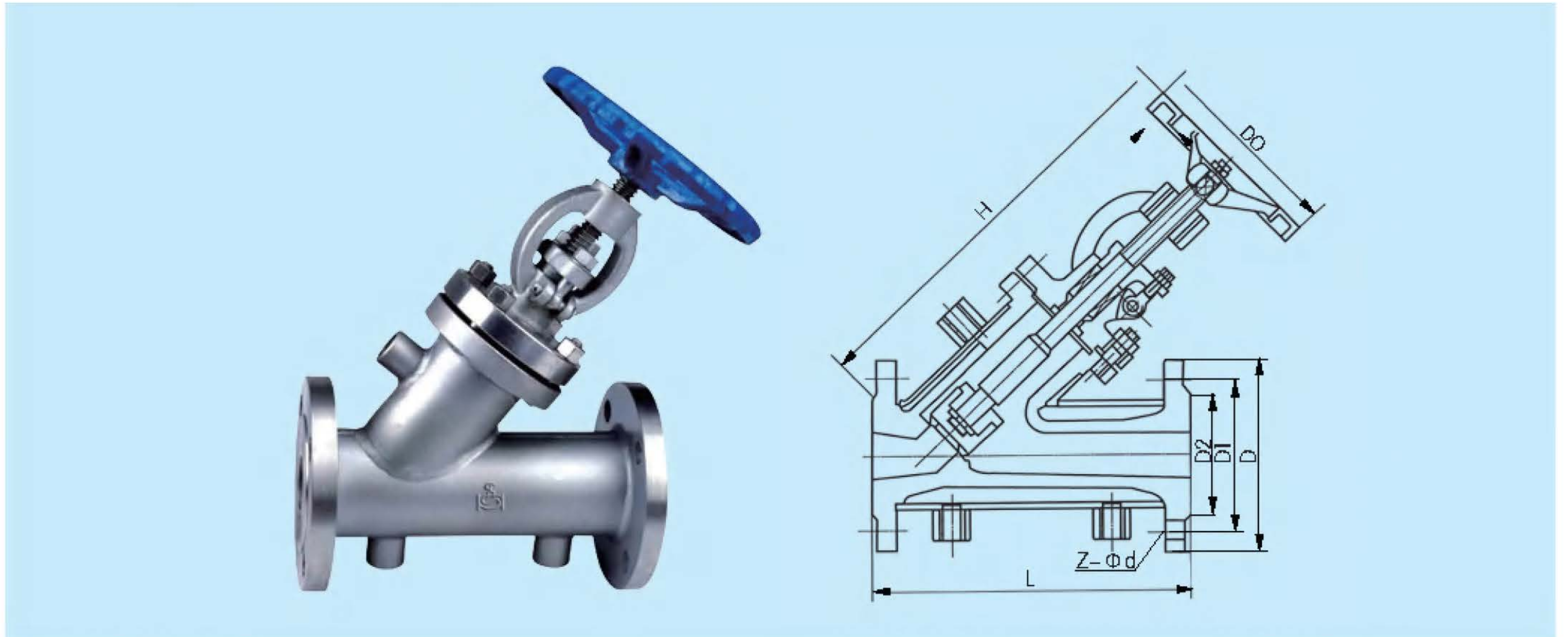
保温截止阀



主要外形尺寸 (mm) Main External and Connection Dimension

| 型号 Type | PN1.6MPa | | | | PN2.5MPa | | | | PN4.0MPa | | | |
|---------------|----------|------|------|-----|----------|------|------|-----|----------|-----|------|-----|
| | DN | L | H | D0 | DN | L | H | D0 | DN | L | H | D0 |
| BJ41W-16C/P/R | 15 | 130 | 175 | 180 | 15 | 130 | 175 | 180 | 15 | 130 | 175 | 180 |
| | 20 | 150 | 180 | 180 | 20 | 150 | 180 | 180 | 20 | 150 | 180 | 180 |
| | 25 | 160 | 210 | 200 | 25 | 160 | 210 | 200 | 25 | 160 | 20 | 200 |
| | 32 | 180 | 210 | 200 | 32 | 180 | 210 | 200 | 32 | 180 | 20 | 200 |
| | 40 | 200 | 350 | 200 | 40 | 200 | 350 | 200 | 40 | 200 | 350 | 200 |
| | 50 | 250 | 358 | 240 | 50 | 250 | 358 | 240 | 50 | 250 | 358 | 240 |
| | 65 | 265 | 373 | 240 | 65 | 265 | 373 | 240 | 65 | 280 | 373 | 240 |
| | 80 | 280 | 435 | 280 | 80 | 280 | 435 | 280 | 80 | 310 | 435 | 280 |
| BJ41W-25P/R | 100 | 300 | 500 | 320 | 100 | 300 | 500 | 320 | 100 | 350 | 500 | 320 |
| | 125 | 325 | 614 | 360 | 125 | 325 | 614 | 360 | 125 | 400 | 614 | 360 |
| BJ41W-40P/R | 150 | 350 | 674 | 360 | 150 | 350 | 674 | 360 | 150 | 450 | 674 | 360 |
| | 200 | 400 | 818 | 400 | 200 | 400 | 818 | 400 | 200 | 550 | 718 | 400 |
| | 250 | 450 | 1225 | 450 | 250 | 450 | 1225 | 450 | 250 | 650 | 1225 | 450 |
| | 300 | 500 | 1415 | 500 | 300 | 500 | 1415 | 500 | 300 | 750 | 1415 | 500 |
| | 350 | 550 | 1630 | 500 | 350 | 550 | 1630 | 500 | 350 | 850 | 1830 | 500 |
| | 400 | 600 | 1780 | 600 | 400 | 600 | 1780 | 600 | 400 | 900 | 1880 | 600 |
| | 450 | 650 | 2050 | 720 | 450 | 650 | 2050 | 720 | | | | |
| | 500 | 700 | 2181 | 720 | 500 | 700 | 2181 | 720 | | | | |
| 600 | 800 | 2599 | 720 | 600 | 800 | 2599 | 720 | | | | | |

保温截止阀



主要外形尺寸 (mm) Main External and Connection Dimension

| 型号 Type | DN | L | D | D1 | D2 | H | b | Z-φd | D0 |
|--|-----|-----|-----|-----|-----|-----|--------|--------|-----|
| BJ45H-25 BJ45H-25P BJ45H-25R BJ45H-25R3 | 15 | 200 | 105 | 75 | 55 | 210 | 16 | 4-φ14 | 120 |
| | 20 | 220 | 115 | 85 | 65 | 240 | 16 | 4-φ14 | 140 |
| | 25 | 220 | 135 | 100 | 78 | 250 | 18 | 4-φ18 | 160 |
| | 32 | 250 | 145 | 110 | 85 | 270 | 18 | 4-φ18 | 160 |
| | 40 | 270 | 160 | 125 | 100 | 310 | 20 | 4-φ18 | 160 |
| | 50 | 300 | 180 | 145 | 120 | 330 | 22 | 8-φ18 | 240 |
| | 60 | 350 | 195 | 160 | 135 | 360 | 22 | 8-φ18 | 240 |
| | 80 | 380 | 230 | 190 | 160 | 400 | 24 | 8-φ23 | 280 |
| | 100 | 430 | 270 | 220 | 188 | 480 | 28 | 8-φ25 | 320 |
| | 125 | 490 | 300 | 250 | 218 | 550 | 30 | 8-φ25 | 360 |
| | 150 | 570 | 330 | 280 | 248 | 620 | 32 | 12-φ25 | 300 |
| 200 | 690 | 395 | 340 | 302 | 750 | 36 | 12-φ30 | 400 | |
| BJ45H-40 BJ45H-40P BJ45H-40R BJ45H-40R3 | 15 | 200 | 105 | 75 | 55 | 210 | 16 | 4-φ14 | 120 |
| | 20 | 220 | 115 | 85 | 65 | 240 | 16 | 4-φ14 | 140 |
| | 25 | 220 | 135 | 100 | 78 | 250 | 18 | 4-φ18 | 160 |
| | 32 | 250 | 145 | 110 | 85 | 270 | 18 | 4-φ18 | 160 |
| | 40 | 270 | 160 | 125 | 100 | 310 | 20 | 4-φ18 | 160 |
| | 50 | 300 | 180 | 145 | 120 | 330 | 22 | 8-φ18 | 240 |
| | 60 | 350 | 195 | 160 | 135 | 360 | 22 | 8-φ18 | 240 |
| | 80 | 380 | 230 | 190 | 160 | 400 | 24 | 8-φ23 | 280 |
| | 100 | 430 | 270 | 220 | 188 | 480 | 28 | 8-φ25 | 320 |
| | 125 | 490 | 300 | 250 | 218 | 550 | 30 | 8-φ25 | 360 |
| | 150 | 570 | 350 | 295 | 258 | 620 | 34 | 12-φ25 | 360 |
| | 200 | 690 | 415 | 355 | 315 | 750 | 40 | 12-φ30 | 400 |