

美标截止阀

明杆升降式铸钢截止阀的结构特征 Rising stem lift structure characteristic of cast steel globe valves

阀杆螺母采用铝青铜材料，大规格的阀门采用推力轴承的设计，使得阀门开启轻便、灵活。

Stem nut uses aluminum bronze material. Large valve is provided with thrust bearing to make it opened easily and flexibly.

填料压盖为两体式设计，可避免因压扁而引起的阀杆卡阻。

Two-piece design of packing gland to avoid stem clogging caused by squishing.

填料采用柔性石墨材料。密封性能可靠。用户有要求时可提供填料隔环和注油脂结构。

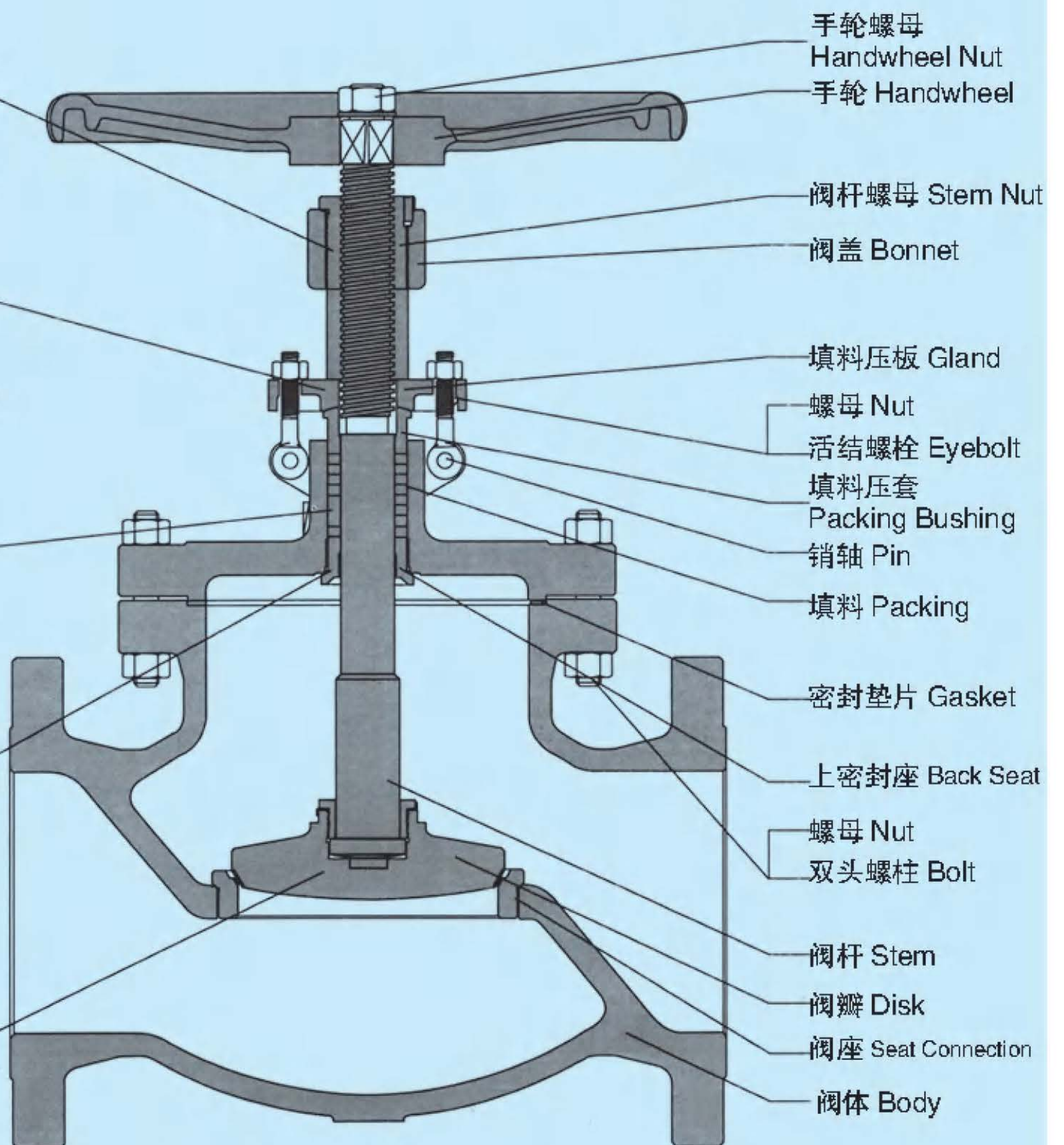
Packing uses flexible graphite for dependable sealing performance. If requested by users, packing spacer ring and greasing mechanism can be available.g.

阀门上密封的设计，全开时可保证填料，密封可靠。（不推荐带压更换填料）

Upper seal design to ensure dependable packing and sealing when valve is fully opened.(Replacement of packing under pressure is not recommended).

升降式阀杆。阀杆头部与阀瓣接触处，镶嵌了一块硬质不锈钢材料。使该处不至于因挤压而变形。或因锈蚀而影响阀瓣动作的灵活性。

Lift stem. with a piece of hard stainless steel inlaid between stem head and disc to avoid deformation caused by extrusion. and corrosion leading to inflexibility of disc action.



美标截止阀

材料明细 (标准材料) Material details (standard material)

序号 No.	零件名称 Part Name	碳钢系列 Carbon Steel	不锈钢系列 Stainless Steel	合金钢系列 Alloy Steel	低温钢系列 Low Temperature Steel
1	阀体 Body	A216 GR WCB	A351 GR CF8	A217 GR WC6	A352 GR LCB
2	阀座 Seat	105	/	A182 GR F304	A182 GR F304
3	阀瓣 Disk	A216 GR WCB	A351 GR CF8	A217 GR WC6	A352 GR LCB
4	阀杆 Stem	A276 TYPE 410	A276 TYPE 304	A182 GR F22	A276 TYPE 304
5	双头螺柱 Stud	A193 GR B7	A194 GR 8	A194 GR B7	A193 GR 8
6	六角螺母 Nut	A193 GR 2H	A193 GR B8	A193 GR 4	A193 GR B8
7	双头螺柱 Back Seat	A182 GR F6a	A182 GR F304	A182 GR F304	A182 GR F304
8	上密封座 Gasket	柔性石墨 +SS304 Soft graphit+Ss304			
9	填料 Packing	柔性石墨 Soft Graphite			
10	销轴 Pin	A194 GR 2H	A276 TYPE 304	A276 TYPE 410	A276 TYPE 304
11	填料压套 Packing Bushing	A182 GR F6a	A182 TYPE 304	A182 GR F6a	A276 TYPE 304
12	活结螺栓 Eyebolt	A193 GR B7	A193 GR B8	A193 GR B7	A194 GR B8
13	螺母 Eyebolt Nut	A194 GR 2H	A193 GR 8	A193 GR 4	A193 GR 8
14	填料压板 Gland	A216 GR WCB	A315 GR CF8	A216 GR WCB	A352 GR LCB
15	阀盖 Bonnet	A216 GR WCB	A315 GR CF8	A216 GR WCB	A352 GR LCB
16	阀杆螺母 Stem Nut	B148 UNS C95600	B148 UNS C95600	B148 UNS C95600	B148 UNS C95600
17	手轮 Handwheel	A197	A197	A197	A197
18	手轮螺母 Handwheel Nut	A108 GR 1020	A182 GR F304	A108 GR 1020	A182 GR F304

提示 1、壳体材料压力温度等级表见附录

Remark: Pressure and temperature rating of casing material referred to Appendix

2、壳体材料化学成分及力学性能见附录

Chemical compositions and mechanical property of casing material referred to Appendix

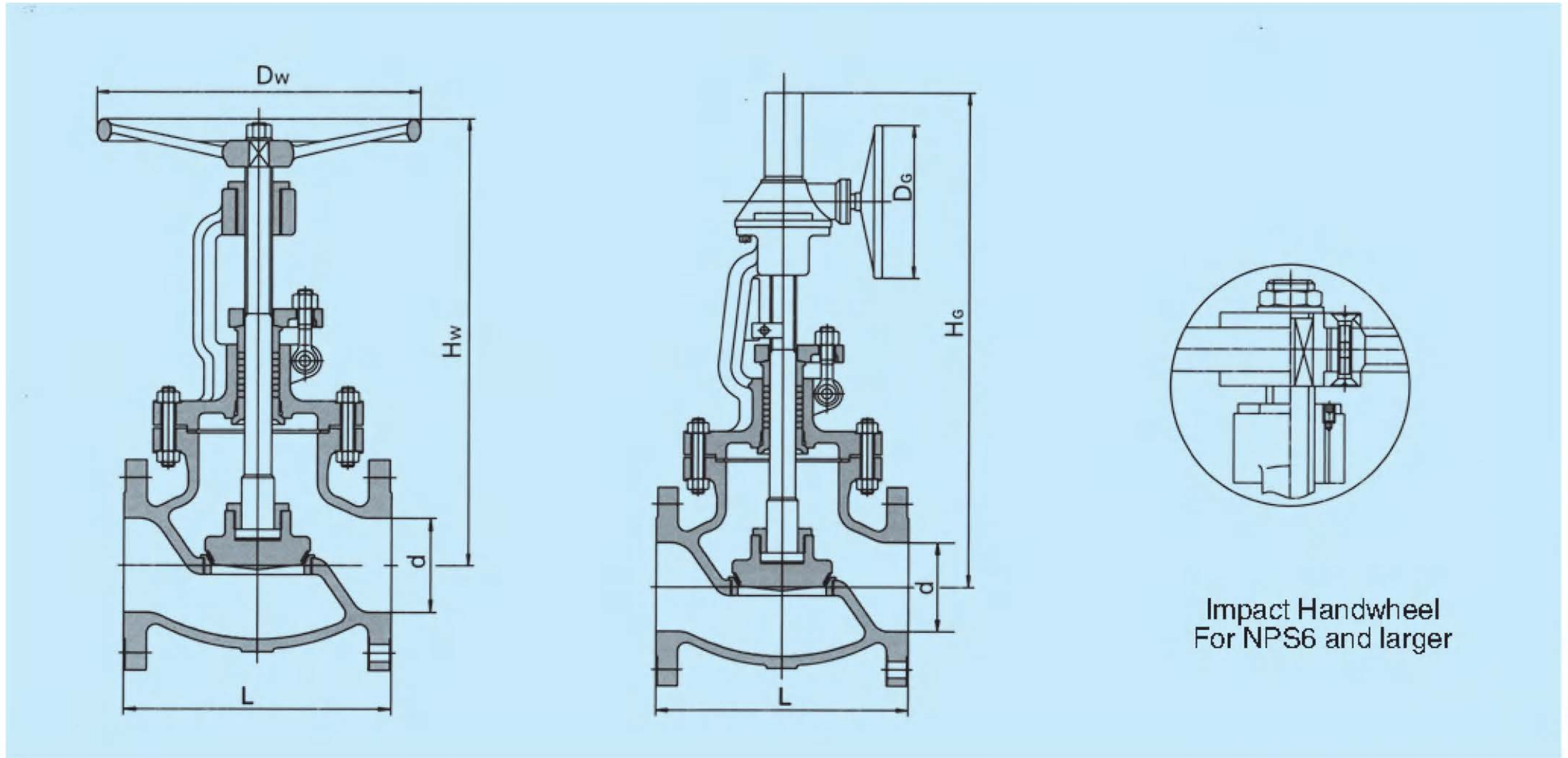
3、内件材料及推荐服务范围见附录

Trim materials and recommended service coverage referred to Appendix

技术性能规范 Technical Specification

设计标准 Design Standard	API 600 BS 1873							
压力温度等级 Pressure-Temperature Rating	ASME B16.34							
结构长度 Face-Face	ASME B16.10							
法兰型式尺寸 Flange Ends	ASME B16.5\ ASME B16.47							
对焊端连接 Buttwelding Ends	ASME B16.25							
检验与试验 Inspection & Test	API 598							
公称压力 Norminal Pressure (Class)	150	300	400	600	900	1500	2500	
试验压力 (MPa) Test-Pressure	壳体试验 Shell Test	2.93	7.55	10.0	15.0	15.0	22.5	37.5
	高压密封 High Pressure Seal Test	2.07	5.52	7.31	11.03	11.03	16.5	27.5
	低压密封 Low Pressure Seal Test	0.6						
适用温度 Applicable Temperature	-196℃ -550℃ (不同的工况温度选用不同材质) Different raw material for different work temperature							
适用介质 Applicable Medium	水、油、气及各类腐蚀性介质 (不同的介质选用不同材质) Water、Oil、gas and other causticity medium(Different raw material for different medium)							

美标截止阀



主要尺寸 Main dimension 单位 Unit(mm) Class150

NPS		L			d	H _w	H _G	D _w	D _G
inch	mm	RF	RTJ	BW					
2 "	50	203	216	203	51	330	-	200	-
2 1/2 "	65	216	229	216	64	360	-	250	-
3 "	80	241	254	241	76	390	-	280	-
4 "	100	292	305	292	102	445	-	300	-
5 "	125	356	369	356	127	480	-	350	-
6 "	150	406	419	406	152	520	556	350	310
8 "	200	495	508	495	203	600	658	400	310
10 "	250	622	635	622	254	773	805	450	460
12 "	300	698	711	698	305	880	955	500	460

主要尺寸 Main dimension 单位 Unit(mm) Class300

NPS		L			d	H _w	H _G	D _w	D _G
inch	mm	RF	RTJ	BW					
2 "	50	267	283	267	51	385	-	200	-
2 1/2 "	65	292	308	292	64	420	-	200	-
3 "	80	318	333	318	76	440	-	280	-
4 "	100	256	371	356	102	515	-	350	-
5 "	125	400	416	400	127	580	-	350	-
6 "	150	444	460	444	152	660	690	400	310
8 "	200	559	575	559	203	900	950	550	460
10 "	250	622	638	622	254	950	990	600	460
12 "	300	711	727	711	305	1030	1080	700	460

美标截止阀

主要尺寸 Main dimension 单位 Unit(mm) Class600

NPS		L			d	H _w	H _G	D _w	D _G
inch	mm	RF	RTJ	BW					
2 "	50	292	295	292	51	360	-	250	-
2 1/2 "	65	330	333	330	64	410	-	280	-
3 "	80	356	359	356	76	465	-	300	-
4 "	100	432	435	432	102	545	575	400	310
5 "	125	508	511	508	127	625	660	500	310
6 "	150	559	562	559	152	785	820	550	460
8 "	200	660	664	660	200	930	960	650	460

主要尺寸 Main dimension 单位 Unit(mm) Class900

NPS		L			d	H _w	H _G	D _w	D _G
inch	mm	RF	RTJ	BW					
2 "	50	368	371	368	51	480	-	350	-
2 1/2 "	65	419	422	419	64	520	-	350	-
3 "	80	381	384	381	76	564	630	400	310
4 "	100	457	460	457	102	685	720	450	310
5 "	125	559	562	559	127	780	840	550	460
6 "	150	610	613	610	152	950	1015	650	460

主要尺寸 Main dimension 单位 Unit(mm) Class1500

NPS		L			d	H _w	H _G	D _w	D _G
inch	mm	RF	RTJ	BW					
2 "	50	368	371	368	51	480	-	350	-
2 1/2 "	65	419	422	419	64	520	-	350	-
3 "	80	381	384	381	76	564	630	400	310
4 "	100	457	460	457	102	685	720	450	310
5 "	125	559	562	559	127	780	840	550	460
6 "	150	610	613	610	152	950	1015	650	460

主要尺寸 Main dimension 单位 Unit(mm) Class 2500

NPS		L			d	H _w	H _G	D _w	D _G
inch	mm	RF	RTJ	BW					
2 "	50	368	371	368	51	480	-	350	-
2 1/2 "	65	419	422	419	64	520	-	350	-
3 "	80	381	384	381	76	564	630	400	310
4 "	100	457	460	457	102	685	720	450	310
5 "	125	559	562	559	127	780	840	550	460
6 "	150	610	613	610	152	950	1015	650	460