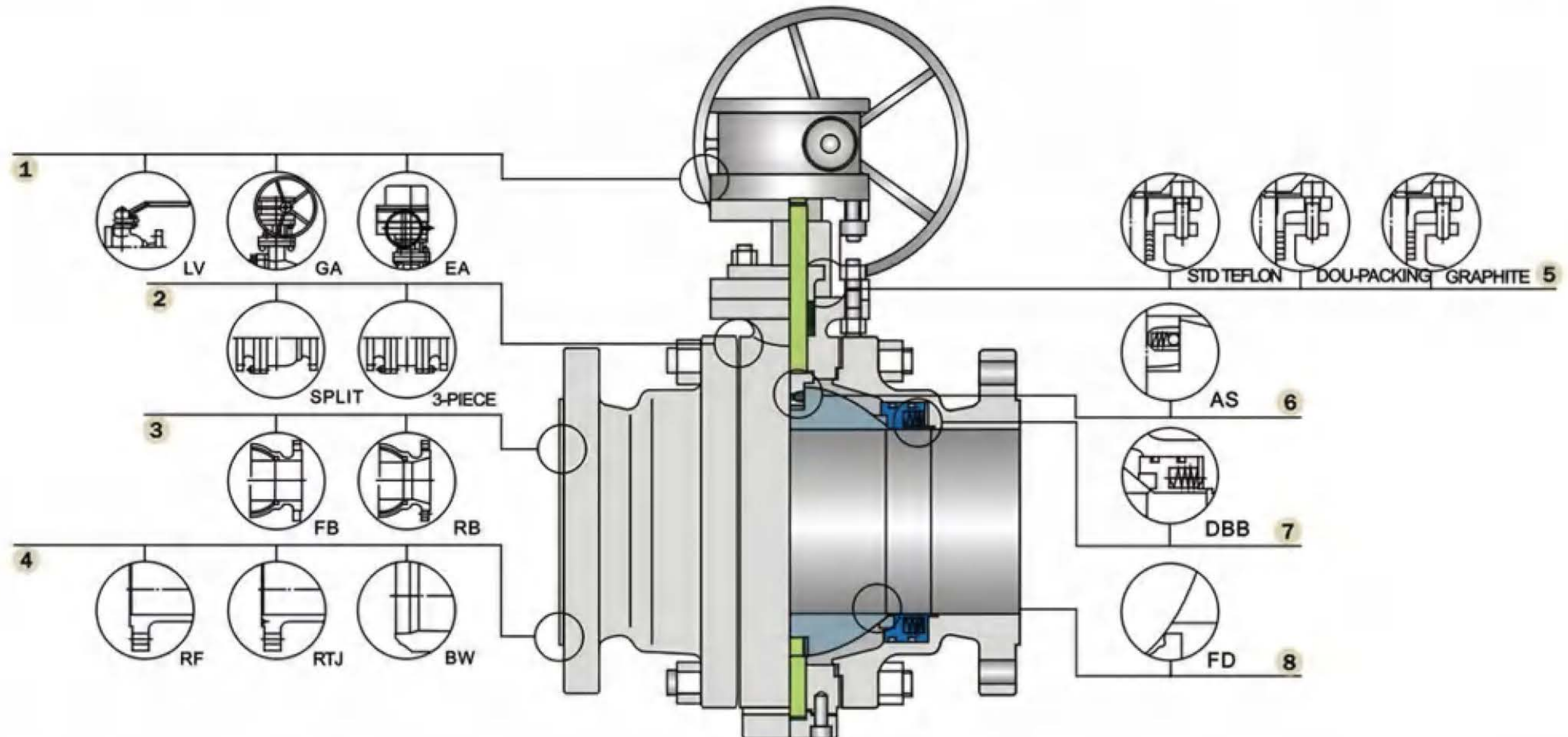


美标固定球阀

设计 Design

我公司铸钢球阀为提供最大的操作寿命和可靠性而设计和生产的所有的球阀都符合美国石油学会标准 API608 和 API6D 的要求和英标 BS535 与美国机械工程师协会标准 ASME B16.34 一致。阀门由完整的二、三阀体和内件组成。

My company cast steel ball valve designed to provide maximum operation life and reliability and production of all ball valves conform to the American petroleum institute standard API608 and API6D requirements and British standard BS535 is consistent with the standards of the American society of mechanical engineers ASME B16.34. Valve by complete two or three of valve body and internal parts.



内件变化	Internal parts change
连接方式改变	Connection mode change
填料和垫片的改变	The change of the packing and gasket
固定式操作	Stationary operation
加长手柄	Longer handle
压力调节	Pressure regulation
静电弹簧 / 防火标准	Electrostatic spring/fire protection standards
客户的特殊铸造要求	Special casting requirements of customers
焊接端的内孔改变	Welding the inner hole change
氧 / 氯气的清洁及包装	Oxygen/chlorine gas cleaning and packaging

1、操作

用手柄更容易操作，同样也可以用蜗轮、电动、气动、液动，他们用于更艰难的环境下。

2、阀体—阀盖

不采用 3 片式 12" 以下的阀体、阀盖，用这种结构更方便于外部零件的修理和替换。

3、通径

全通径和缩径、全通径适用于大的流量介质。

4、连接方式

可采用法兰连接、环连接、对接焊管件。

5、填料

标准填料一般采用特氟龙材质，保证填料在高循环的压缩和严峻的操作环境下，石墨填料适合高温条件下使用。

6、静电弹簧

这种连接总是在球体和阀杆 / 阀体之间运动卸载最终在操作时静止。

7、双排双堵

当球体完全关闭或完全打开时，阀体通穴是孤立的，堵在里面的介质可以很容易地排出，避免过高的压力。

8、防火标志

根据 API607 或 BS6755 来设计，确保他们在发生火灾时的操作适用性，其次金属密封面当主要的密封面被火破坏时就像是一层隔离墙，符合 API607 的阀门带石墨填料和垫片。

1, the operation

Handle is more easy to operate, also can use the worm gear, electric, pneumatic, hydraulic, they used to more difficult circumstances.

2 a bonnet and valve body

Do not use 3 chip under 12 "body, bonnet, with this kind of structure is more convenient to repair and replacement of external parts.

3, size

All sizes and reducing, full size is suitable for large flow medium.

4, connection mode

Can be connected by flange, ring joint, butt welding pipe fittings.

5, packing

Standard teflon commonly used packing material, packing materials in high cycle compression and severe operating environment, graphite packing is suitable for use under high temperature.

6, electrostatic spring

The connection is always on the ball and stem/body movement between unloading eventually still in operation.

7, double row double wall

When ball fully closed or fully open valve body cavity is isolated, plugging in the medium can be easily expelled. Avoid too much pressure.

8, fire signs

Design according to API607 or BS6755. To ensure their applicability in during the operation of the fire, the second metal sealing face when main sealing surface is destroyed by fire is like a layer of barrier, conforms to the API607 valve with graphite packing and gaskets.

美标固定球阀

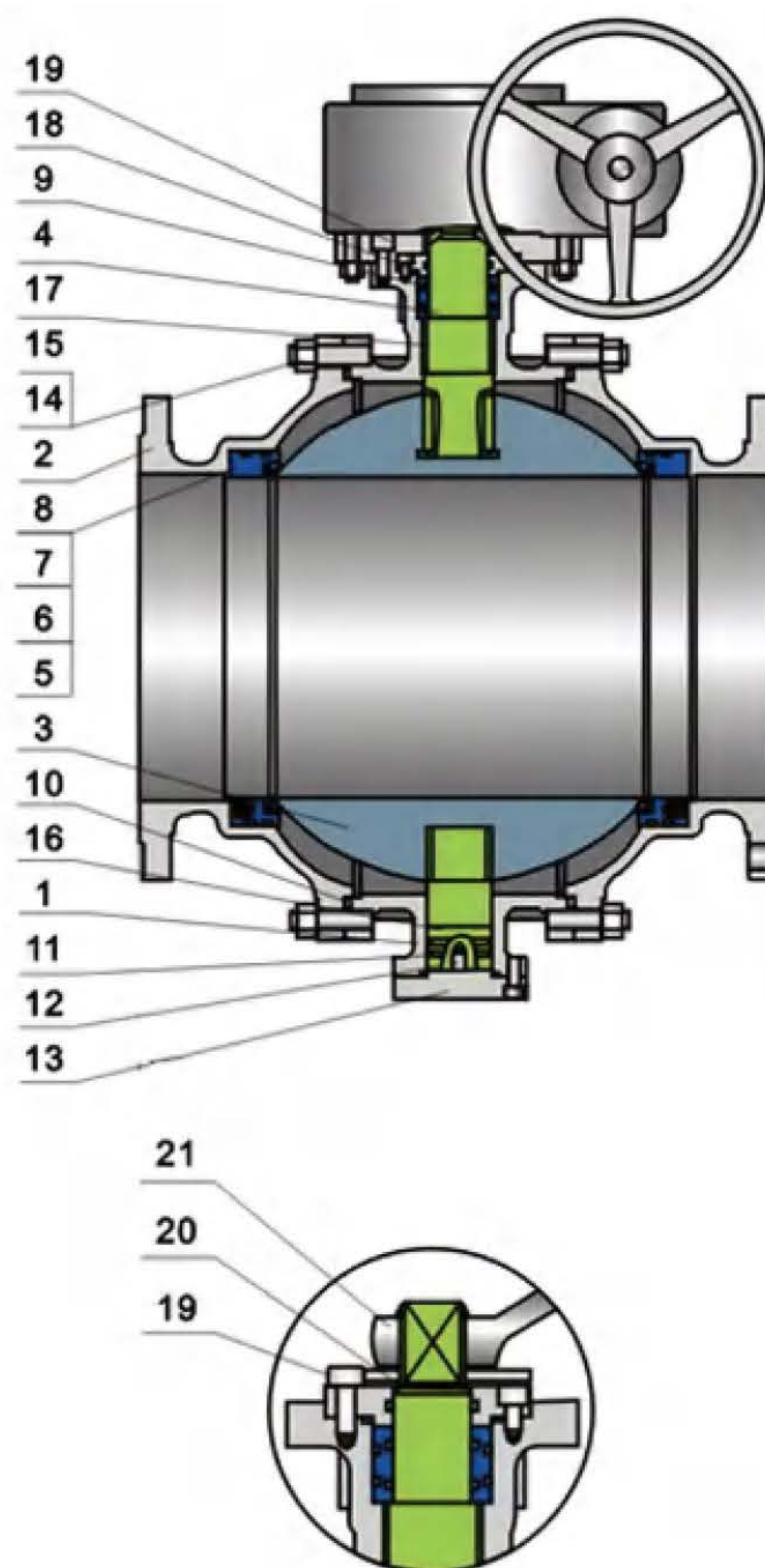
应用标准 Application standards

铸钢球阀符合 API 608/API 6D 标准
 铸钢球阀符合 ISO 10434/ISQ 14313 标准
 防火标志采用 API 607 标准
 防静电采用 API 608 标准
 铸钢符合 ASME B 16.34 标准
 结构长度符合 ASME B 16.10 标准
 法兰尺寸符合 ASME B 16.5 标准
 对接焊符合 ASME B 16.25 标准
 试验与检验符合 API 598/API 6D 标准

Cast steel ball valve in accordance with API 608 / API 6 d standard
 Cast steel ball valves conform to ISO 10434 / ISQ 10434 standard
 Fire signs with API 607 standard
 Antistatic with API 608 standard
 Cast steel in accordance with ASME B 16.34 standard
 Structure length in accordance with ASME B 16.10 standard
 Flange dimensions conform to the ASME B 16.5 standard
 Butt welding in accordance with ASME B 16.25 standard
 Test and inspection accord with API 598 / API 6D standard

设计描述 Design description

全通径设计	Full size design
螺栓连接	Bolt connection
固定结构	Fixed structure
防脱阀杆	Resistance from the valve stem
防火设计	Fire protection design
静电装置	Electrostatic device
切断装置	Cut off the device
ISO5211 固定盘	Fixed with ISO5211 disk
法兰 / 焊接端	Flange/welding end
蜗轮操作	Worm gear operation



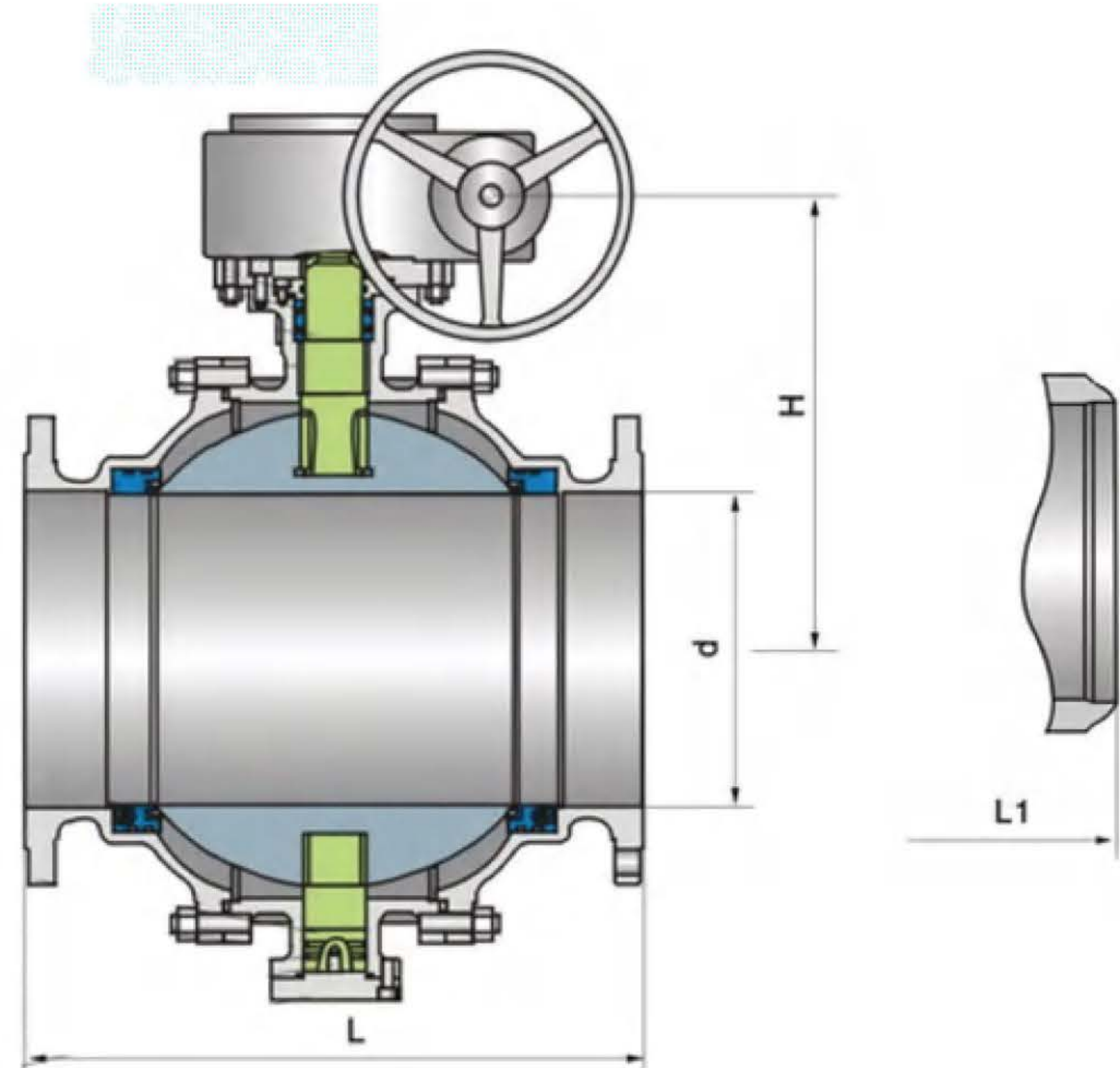
各部件材质 Each part material

序号 No.	零件名称 Parts Name	ASTM 材质 ASTM material		
1	阀体 valve body	A216-WCB	A351-CF8M	A352-LCB
2	阀盖 cover	A216-WCB	A351-CF8M	A352-LCB
3	球 ball	A182-F304	A182-F316	A182-F304
4	阀杆 valve stem	A276-304	A276-316	A276-304
5	阀座 seat	A105+ENP	A182-F316	A350-LF2+ENP
6	阀座密封 Seat tightness	PTFE		
7	弹簧阀座 spring seat	A313-304	Inconel X-750	A313-304
8	阀座 O 型圈 seat o-rings	NBR	氟橡胶 Fluorine rubber	氟橡胶 Fluorine rubber
9	阀杆 O 型圈 Stem o-rings	NBR	氟橡胶 Fluorine rubber	氟橡胶 Fluorine rubber
10	阀盖垫片 Valve cover gasket	石墨 graphite+304	石墨 graphite+316	石墨 graphite+304
11	阀盖 O 型圈 valve bonnet o-rings	NBR	Vt ion	Vt ion
12	静电弹簧 Electrostatic spring	A313-304	A313-316	A313-304
13	底盖 Bottom cover	A216-WCB	A182-F316	A182-F304
14	阀盖螺栓 Valve cover bolts	A193-B7	A193-B8	A320-L7
15	阀盖螺母 valve cover nut	A194-2H	A194-8	A194-4
16	固定器 holder	A276-304	A276-316	A276-304
17	固定轴承 Fixed bearing	304+PTFE	316+PTFE	304+PTFE
18	填料压板 Packing pressure plate	A216-WCB	A351-CF8M	A352-LCB
19	填料压盖螺栓 packing gland bolts	A193-B7	A193-B8	A193-B7
20	定位片 Locating piece	碳钢 Carbon steel	碳钢 Carbon steel+Zn	碳钢 Carbon steel
21	手柄 handle	碳钢 Carbon steel		

注释 :1、A105+ENP 可选择的
 2、缠绕石墨垫片
 3、可根据不同的介质选用不同的材质。

Note: 1. A105 + ENP optional
 2, winding graphite gaskets
 3, can choose different material according to different media.

美标固定球阀



外形尺寸 Overall dimensions (mm)

ANSI Class 150Lb																		
NPS	2	2 1/2	3	4	6	8	10	12	14	16	18	20	24	26	28	30	32	36
(RF) L	178	190	203	229	394	457	533	610	686	762	864	914	1067	1143	1245	1295	1372	1524
(BW)L1	216	241	283	305	457	521	559	635	762	838	914	991	1143	1245	1346	1397	1524	1727
H	177	190	210	235	530	625	650	780	790	920	970	1100	1150	1290	1400	1630	1840	2050
(d)	49	62	74	100	150	201	252	303	334	385	436	487	589	633	684	735	779	874
W	350	400	500	500	600	600	600	600	800	800	800	800	800	800	800	800	800	800

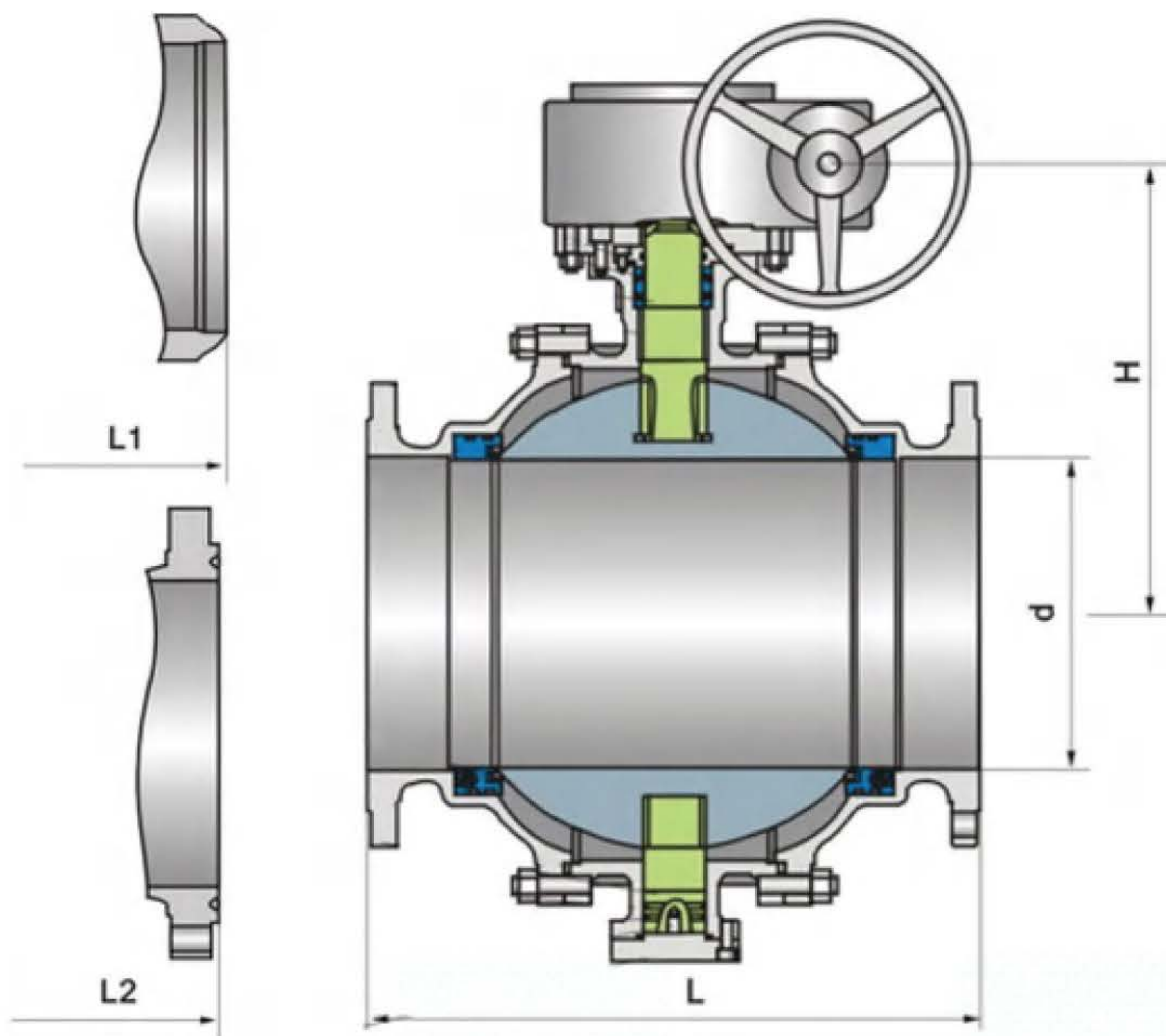
外形尺寸 Overall dimensions (mm)

ANSI Class 300Lb																	
NPS	2	2 1/2	3	4	6	8	10	12	14	16	18	20	24	26	28	30	32
(RF) L	216	241	283	305	403	502	568	648	762	838	914	991	1143	1245	1346	1397	1524
(BW)L1	216	241	283	305	403	521	559	635	762	838	914	991	1143	1245	1346	1397	1524
H	177	190	210	235	530	625	650	780	790	920	970	1100	1150	1290	1400	1630	1800
(d)	49	62	74	100	150	201	252	303	334	385	436	487	589	633	684	735	779
W	350	400	500	500	600	600	600	600	800	800	800	800	800	800	800	800	800

外形尺寸 Overall dimensions (mm)

ANSI Class 600Lb															
NPS	2	2 1/2	3	4	6	8	10	12	14	16	18	20	24	26	28
(RF) L	292	330	356	432	559	660	787	838	889	991	1092	1194	1397	1448	1549
(BW)L1	295	333	359	435	562	664	791	841	892	994	1095	1200	1407	1461	1562
H	180	193	215	241	540	635	665	790	810	925	985	1130	1185	1335	1450
(d)	49	62	74	100	150	201	252	303	334	385	436	487	589	633	684
W	350	400	500	500	600	600	600	600	800	800	800	800	800	800	800

美标固定球阀



外形尺寸 Overall dimensions (mm)

ANSI Class 900Lb													
NPS	2	2 1/2	3	4	6	8	10	12	14	16	18	20	24
(RF) L	368	419	381	457	610	737	838	965	1029	1130	1219	1321	1549
(BW)L1	371	422	384	460	613	740	641	968	1038	1140	1232	1334	1568
H	219	235	260	390	655	770	805	965	980	1145	1195	1360	1425
(d)	49	62	74	100	150	201	252	303	322	373	423	471	570
W	500	500	500	600	600	600	600	800	800	800	800	800	800

外形尺寸 Overall dimensions (mm)

ANSI Class 1500Lb											
NPS	2	2 1/2	3	4	6	8	10	12	14	16	
(RF/BW) L/L2	368	419	470	546	705	832	991	1130	1257	1384	
(RTJ)L2	371	422	473	549	711	841	1000	1046	1276	1407	
H	285	306	338	506	852	1000	1045	1255	1270	1485	
(d)	49	62	74	100	144	192	239	287	315	360	
W	500	500	600	600	600	800	800	800	800	800	

外形尺寸 Overall dimensions (mm)

ANSI Class 2500Lb								
NPS	2	2 1/2	3	4	6	8	10	12
(RF/BW) L/L2	451	508	578	673	914	1022	1270	1422
(RTJ)L2	454	540	584	683	927	1038	1292	1445
H	304	327	362	540	811	1070	1120	1345
(d)	42	52	62	87	131	179	223	265
W	500	600	600	600	800	800	800	800