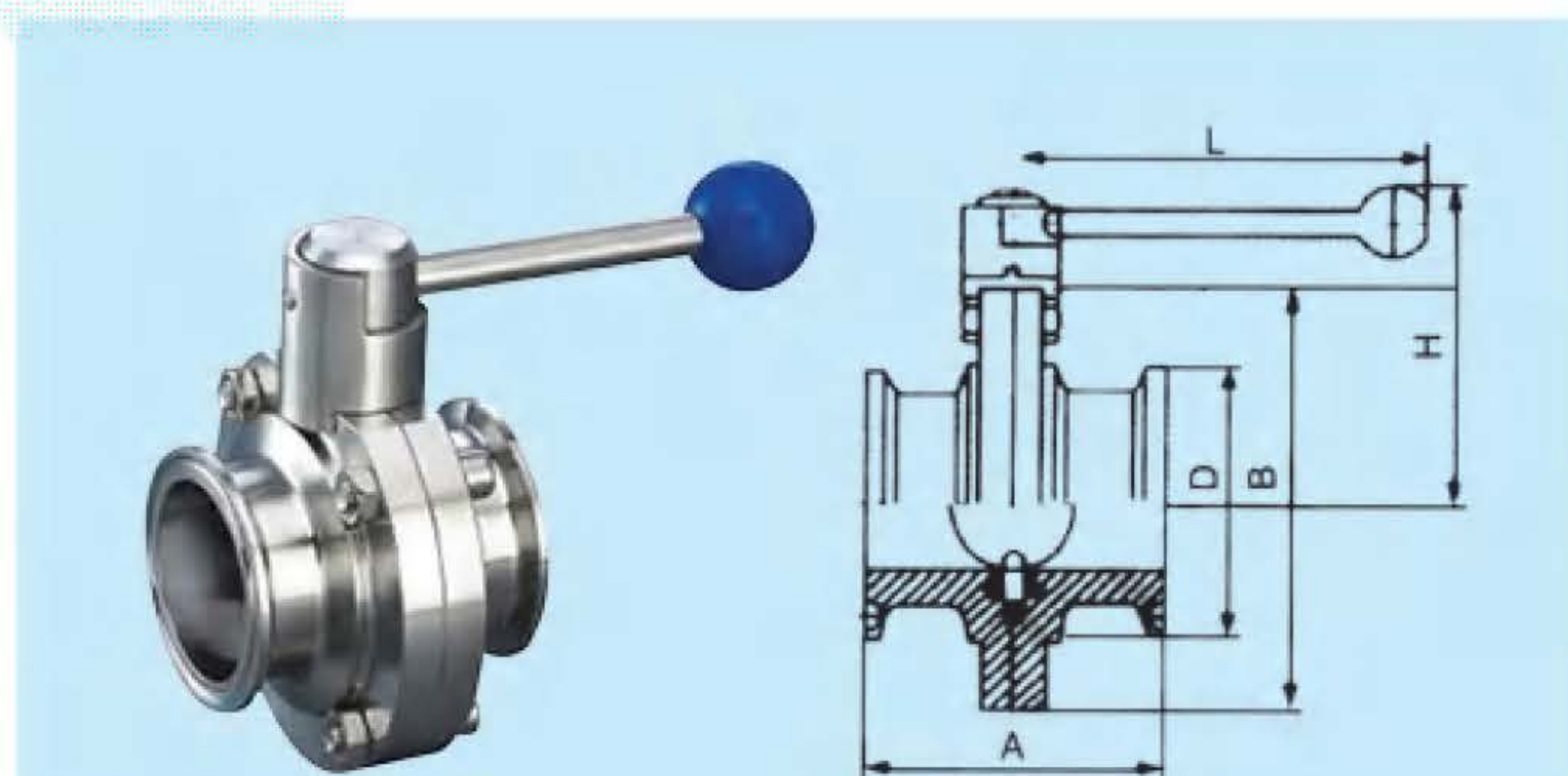


# 卫生级配件

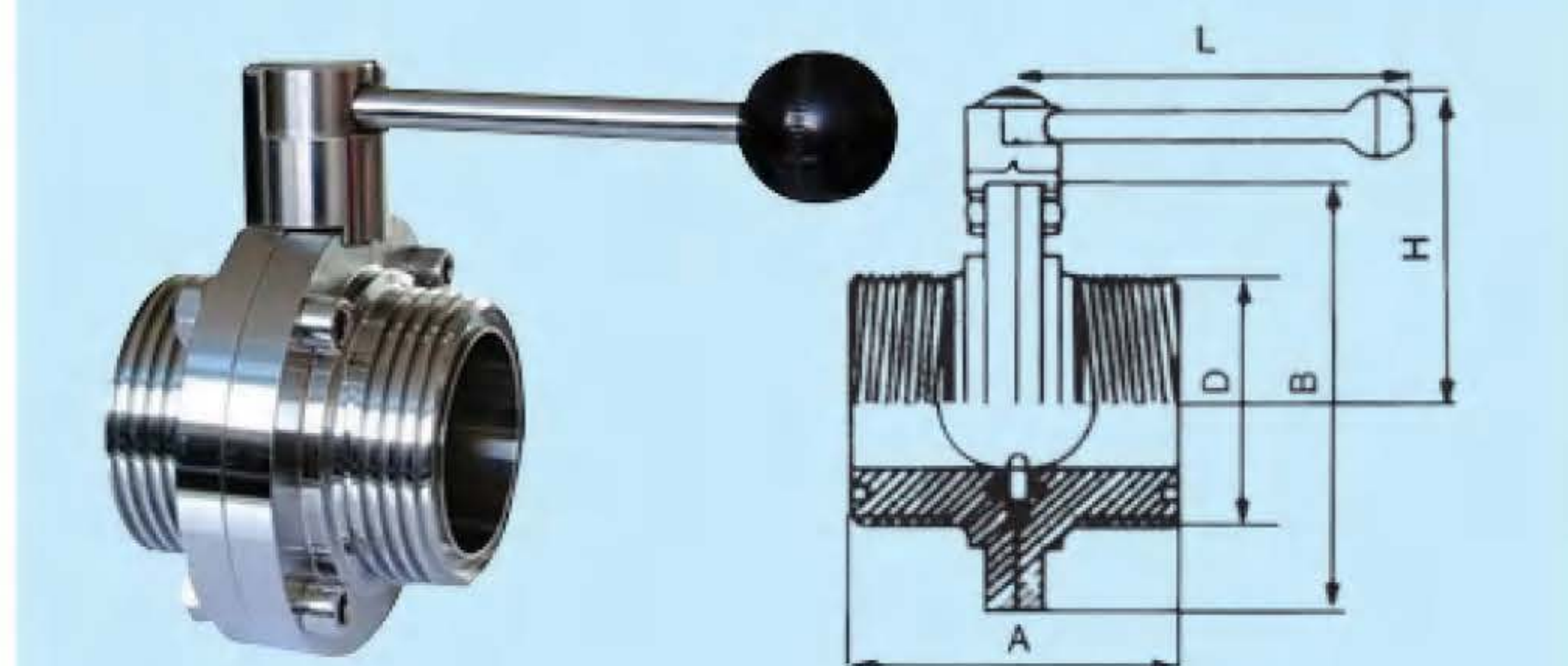
## 不锈钢快装蝶阀 Stainless steel quick butterfly valve

规格 standard	A	B	D	L	H
20	66	78	50.5	130	84
25	66	78	50.5	130	84
32	66	78	50.5	130	84
38	70	86	50.5	130	88
51	76	102	64.0	140	86
63	80	115	77.5	150	102
76	84	128	91	150	110
89	90	140	106	160	115
102	104	160	119	160	122
108	108	160	119	160	125



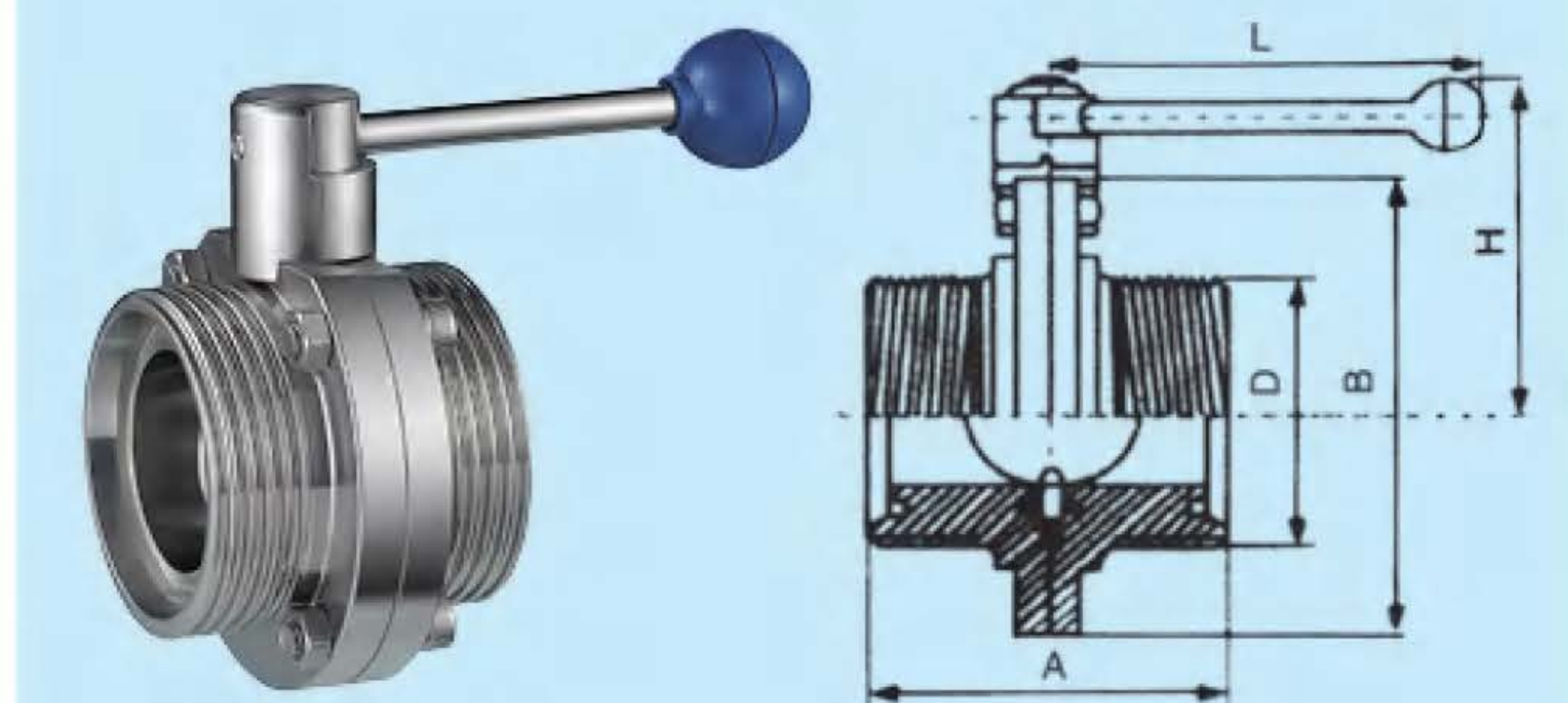
## 不锈钢螺纹蝶阀 Stainless steel butterfly valve threads

规格 standard	A	B	D	L	H
25	66	78	40 × 1/6	130	84
32	66	78	46 × 1/6	130	84
38	70	86	60 × 1/6	130	88
51	76	102	70 × 1/6	140	86
63	80	115	85 × 1/6	150	102
76	84	128	90 × 1/6	150	110
89	90	145	110 × 1/4	160	125
102	104	159	130 × 1/4	160	125



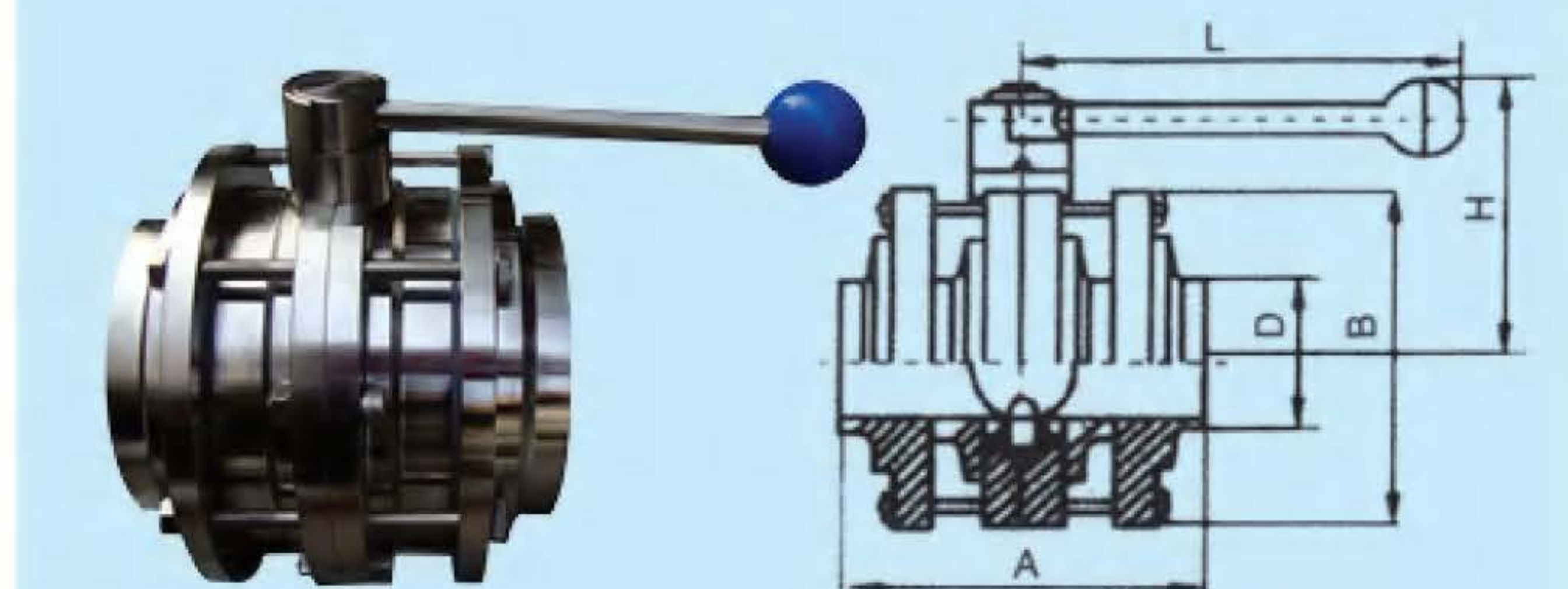
## 不锈钢螺纹蝶阀 Stainless steel butterfly valve threads

规格 standard	A	B	D	L	H
20	66	78	40 × 1/6	130	84
25	66	78	46 × 1/6	130	84
32	66	86	60 × 1/6	130	88
40	74	90	70 × 1/6	130	90
50	76	106	85 × 1/6	140	98
65	84	128	90 × 1/6	150	107
80	90	145	110 × 1/4	160	115
100	108	165	130 × 1/4	160	122
125	130	195	160 × 1/4	170	140
150	160	230	190 × 1/4	170	155



## 不锈钢三片蝶阀 Three pieces of stainless steel butterfly valves

规格 standard	A	B	D	L	H
20	100	78	19.05	130	84
25	100	78	25.4	130	84
32	100	78	31.8	130	84
38	100	86	38.1	130	88
51	104	102	50.8	140	96
63	112	115	63.5	150	102
76	112	128	76.1	150	110
89	120	139	88.9	160	115
102	128	155	101.6	160	122
108	128	159	108	160	125

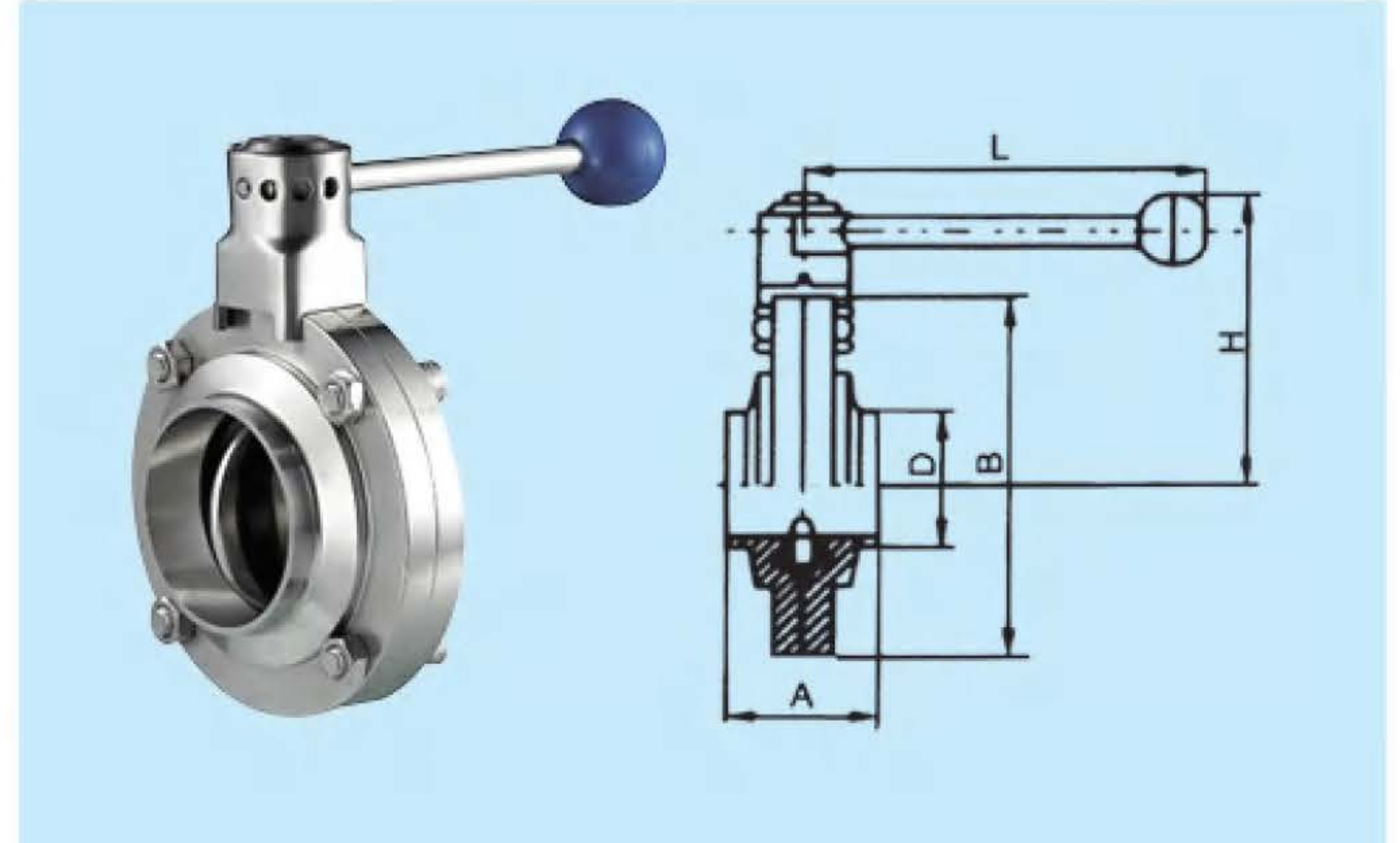




# 卫生级配件

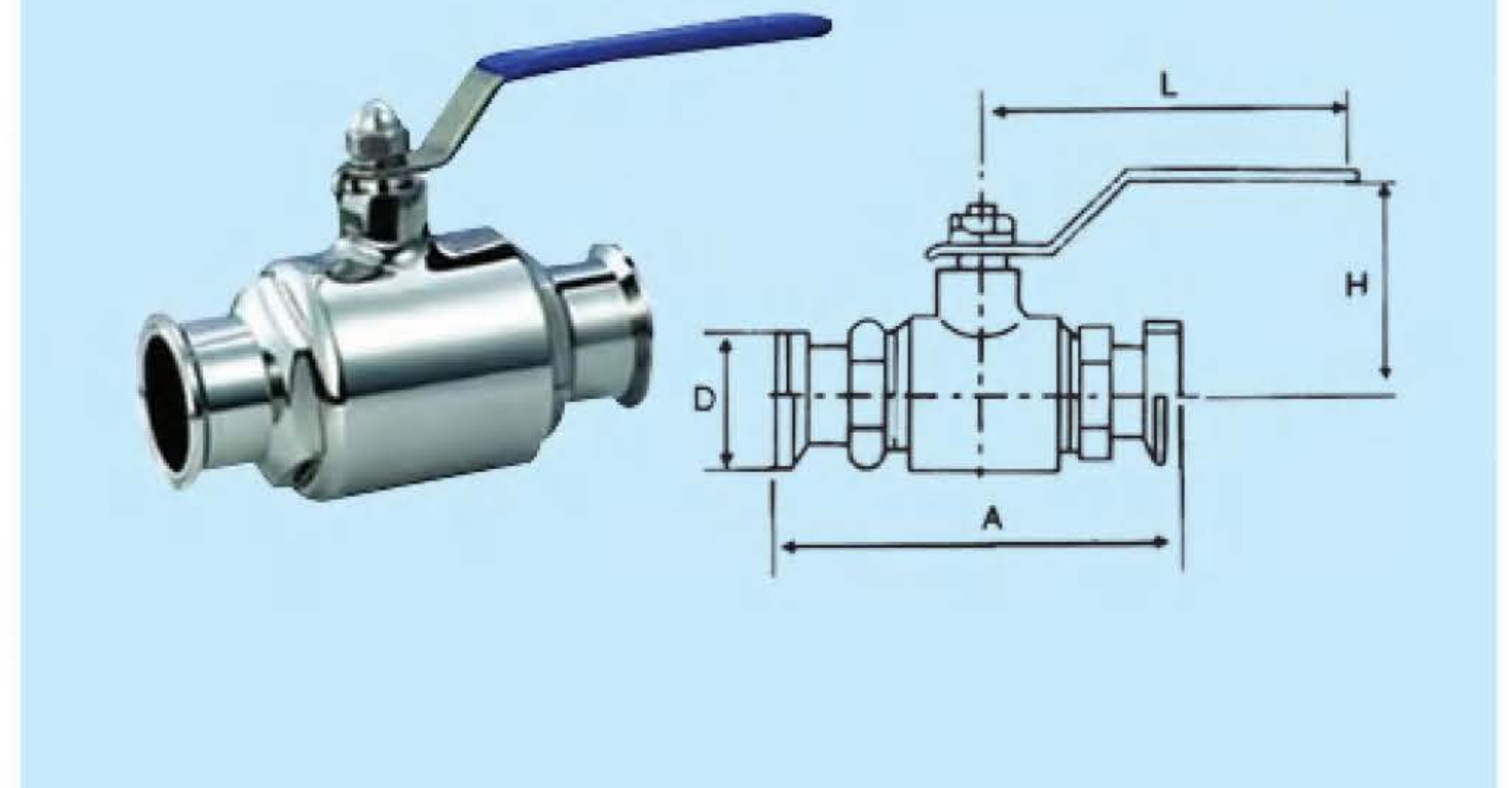
## 不锈钢焊接式蝶阀 Stainless steel welded butterfly valve

规格 standard	A	B	D	L	H
20	66	78	19.05	130	84
25	66	78	25.4	130	84
32	66	78	31.8	130	84
38	70	86	38.1	130	88
51	76	102	50.8	140	96
63	80	115	63.5	150	102
76	84	128	76.1	150	110
89	90	139	88.9	160	115
102	104	155	101.6	160	122
108	108	159	108	160	125



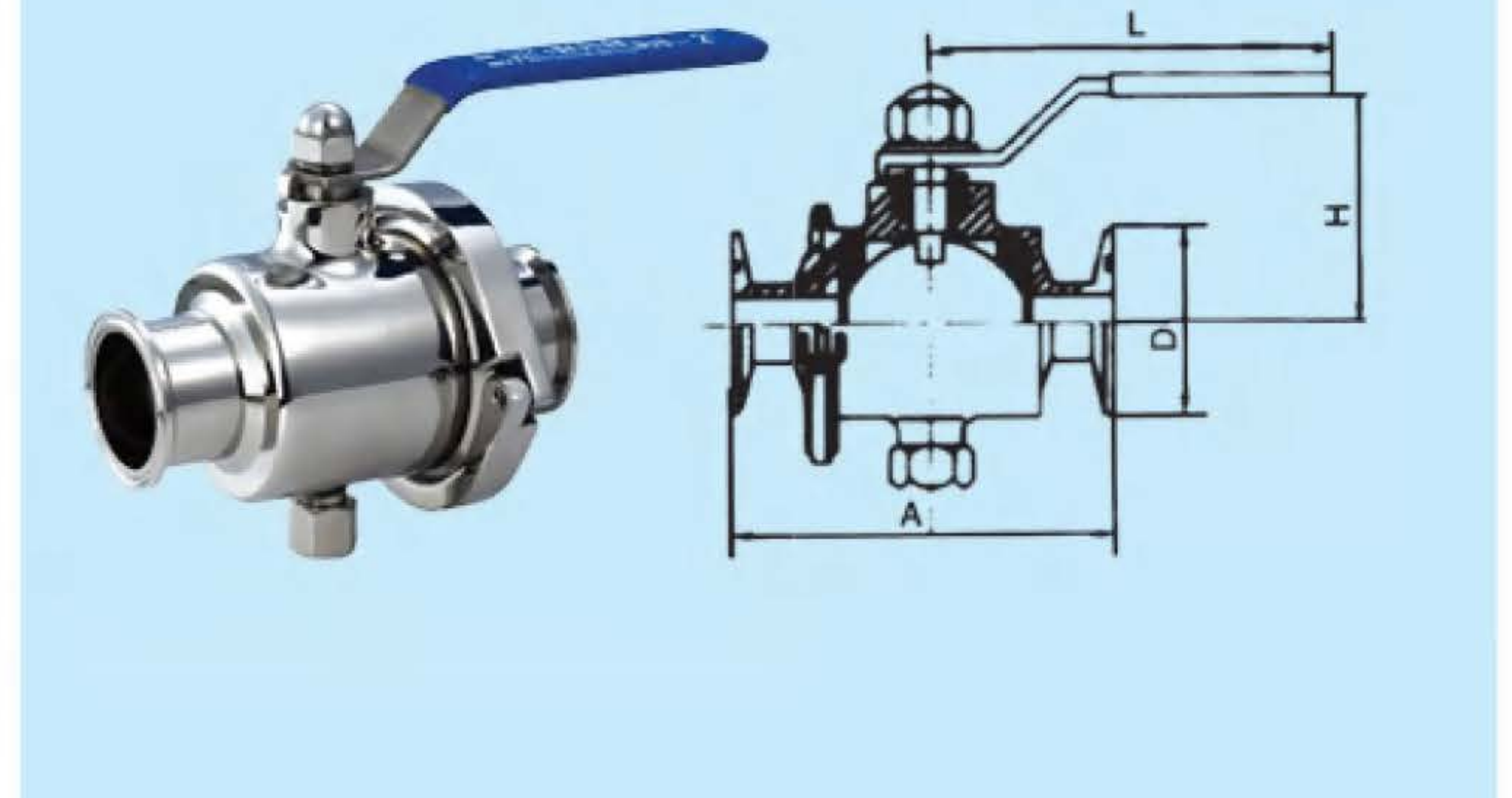
## 不锈钢卫生球阀 Sanitary stainless steel ball valve

规格 standard	A	D	H	L
20	100	50.5	50	110
25	120	50.5	55	120
32	130	50.5	58	130
38	150	50.5	60	140
51	200	64	80	170
63	210	77.5	90	190
76	220	91	95	210
89	260	106	110	220
102	320	119	118	240



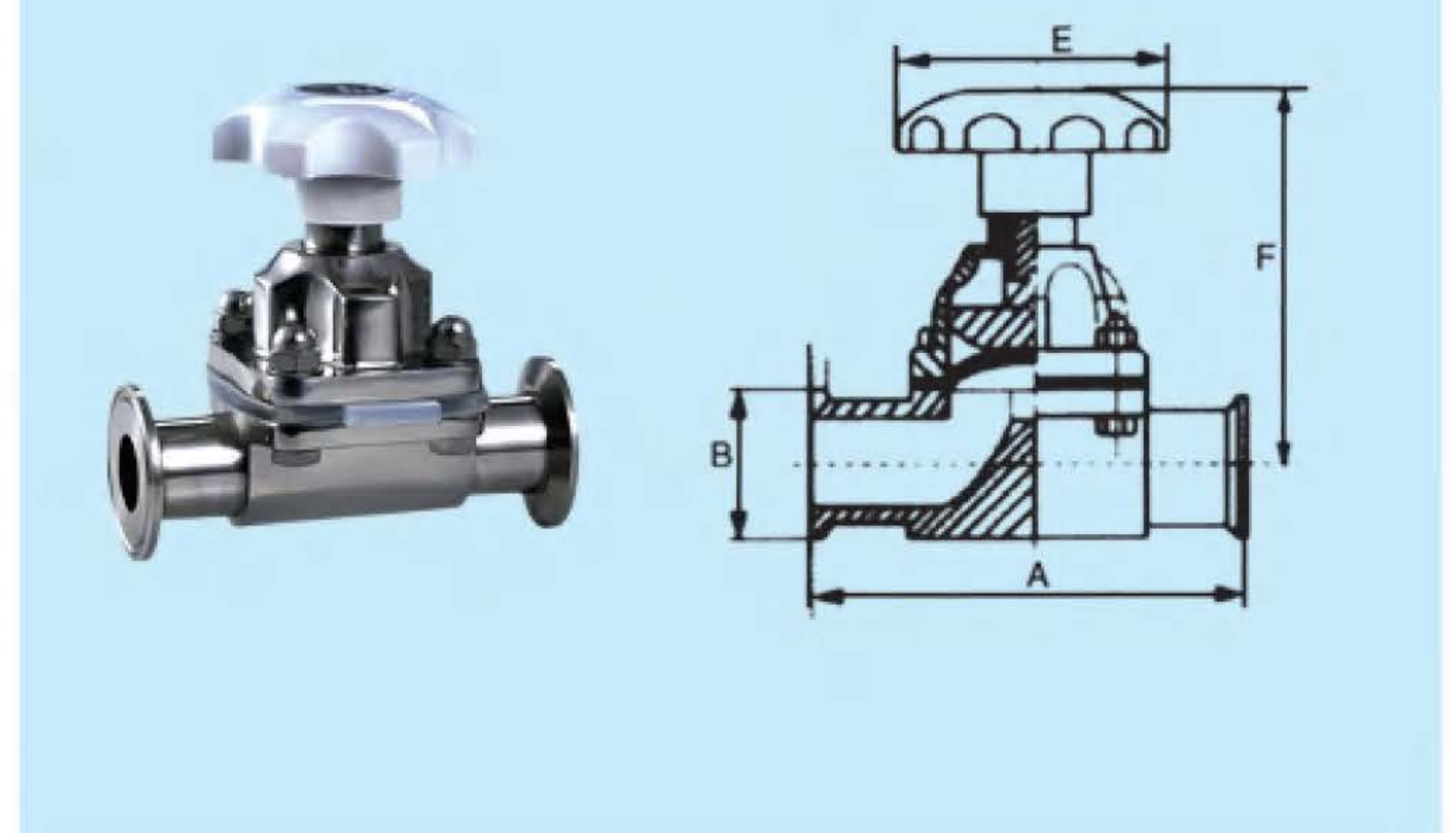
## 不锈钢卫生球阀 Sanitary stainless steel ball valve

规格 standard	A	D	H	L
20	100	50.5	50	110
25	120	50.5	55	120
32	130	50.5	58	130
38	150	50.5	60	140
51	200	64	80	170
63	210	77.5	90	190
76	220	91	95	210
89	260	106	110	220
102	320	119	118	240



## 不锈钢隔膜阀 Stainless steel diaphragm valve

规格 standard	A	B	E	F
15	108	34	34	89/99
20	118	50.5	50.5	91/102
25	127	50.5	50.5	110/123
32	146	50.5	50.5	129/138
40	159	50.5	50.5	139/159
50	191	64	64	159/186

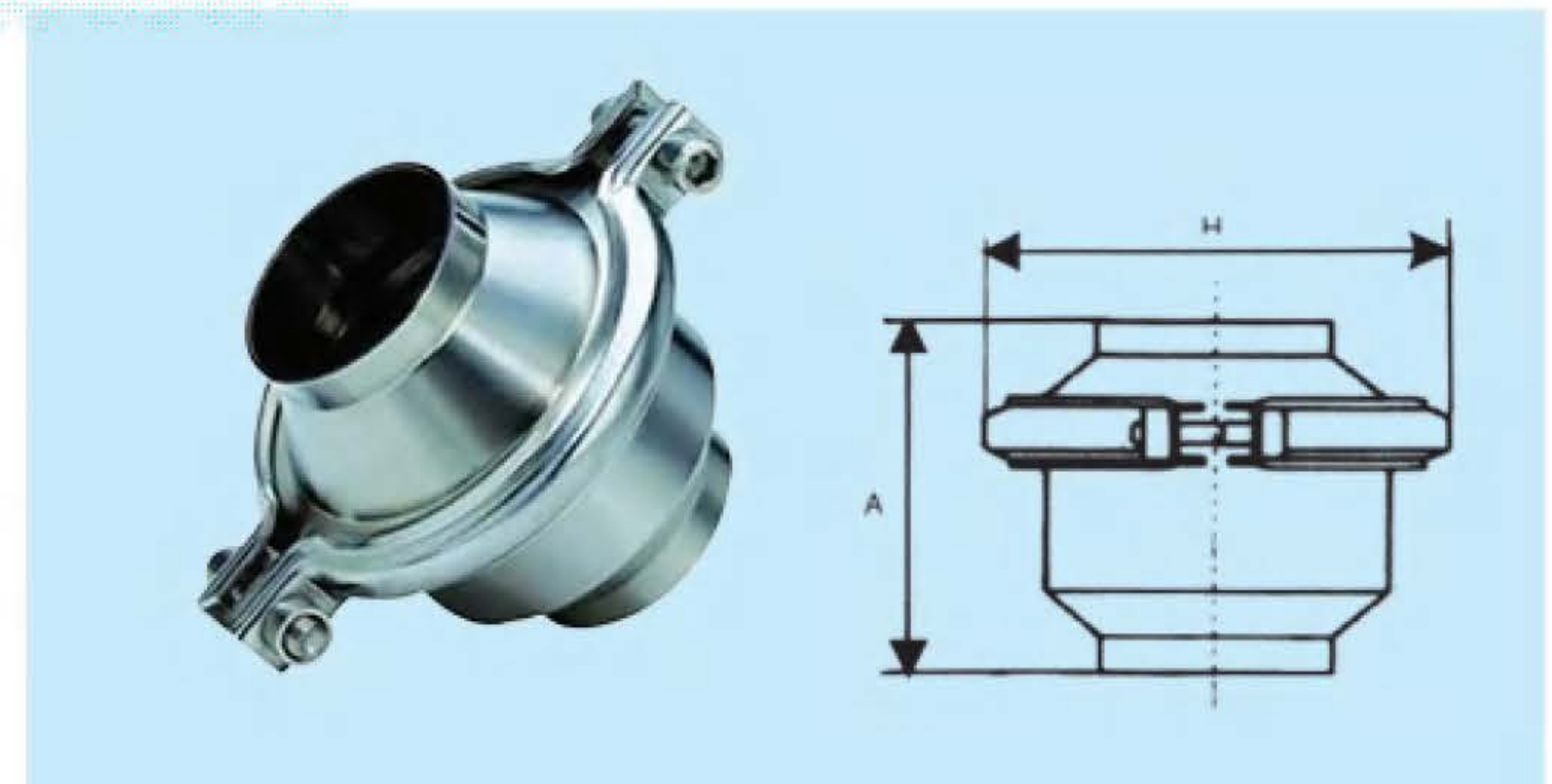




# 卫生级配件

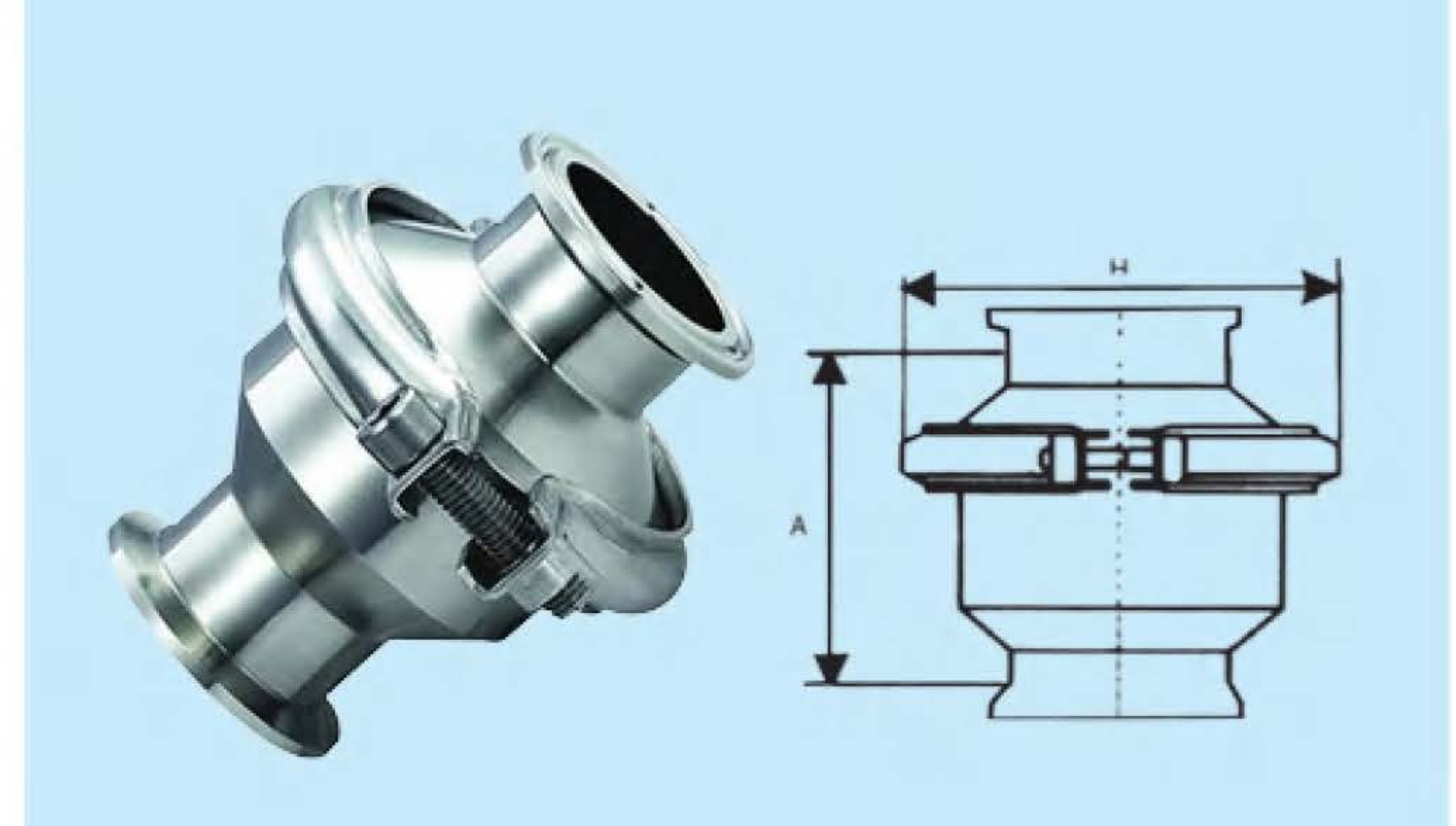
## 不锈钢焊接式止回阀 Stainless steel welding type check valve

规格 standard	A	H	规格 standard	A	H
25	62.5	81	25	62.5	82
32	75	81	38	75	95.5
40	75	81	51	87.5	109
50	87.5	109	63.5	95	137
65	95	137	76.1	115	148
80	115	148	101.6	155	164
100	155	164			



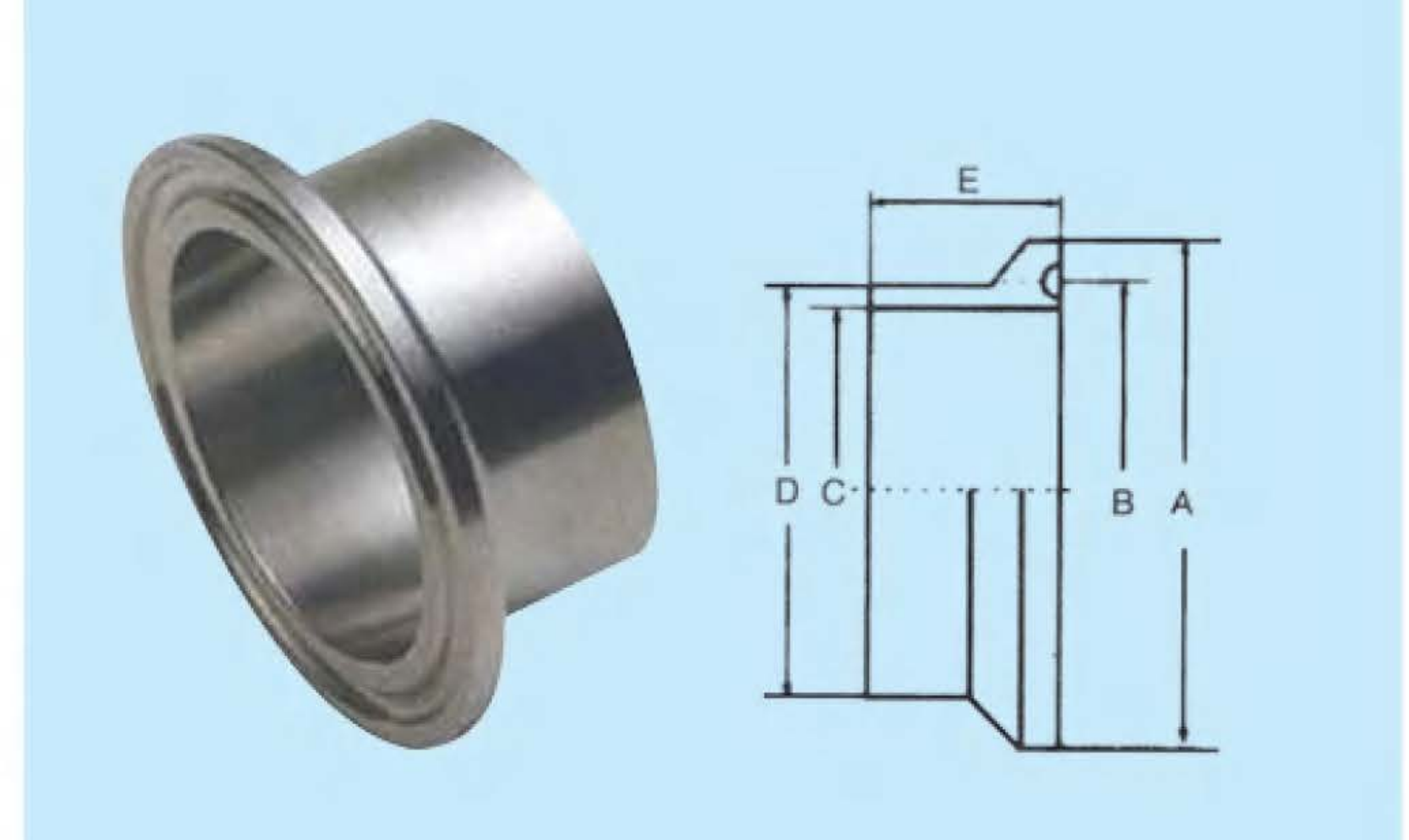
## 不锈钢快装止回阀 Stainless steel quick check valve

规格 standard	A	H	L
20	50.5	65	119
25	50.5	74	120
32	50.5	83	125
40	50.5	99	140
50	64	114	160
65	77.5	127	165
80	106	154	180
100	119	180	205



## 不锈钢快装接头 Stainless steel quick release coupling

SIZE	D	A	B	C	E
3/4"	19.5	50.5	43.5	16.5	21
1"	25.4	50.5	43.5	22.4	21
1 1/4"	31.8	50.5	43.5	28.8	21
1 1/2"	38.1	50.5	43.5	35.1	21
2"	50.8	64.0	56.5	47.8	21
2 1/2"	63.5	77.5	70.5	59.5	21
3"	76.3	91	83.5	72.3	21
3 1/2"	89.1	106	97	85.1	21
4"	101.6	119	110	97.6	21



## 不锈钢卫生卡箍 Stainless steel sanitary clamp

SIZE	D	A	B
1" - 1 1/2"	19-38	53.5	44.5
2"	50.8	66.5	57.5
2 1/2"	63.5	81	72
3"	76.2	94	85
3 1/2"	89.1	108	102
4"	101.6	122	113
3"	76.3	91	83.5
3 1/2"	89.1	106	97
4"	101.6	119	110

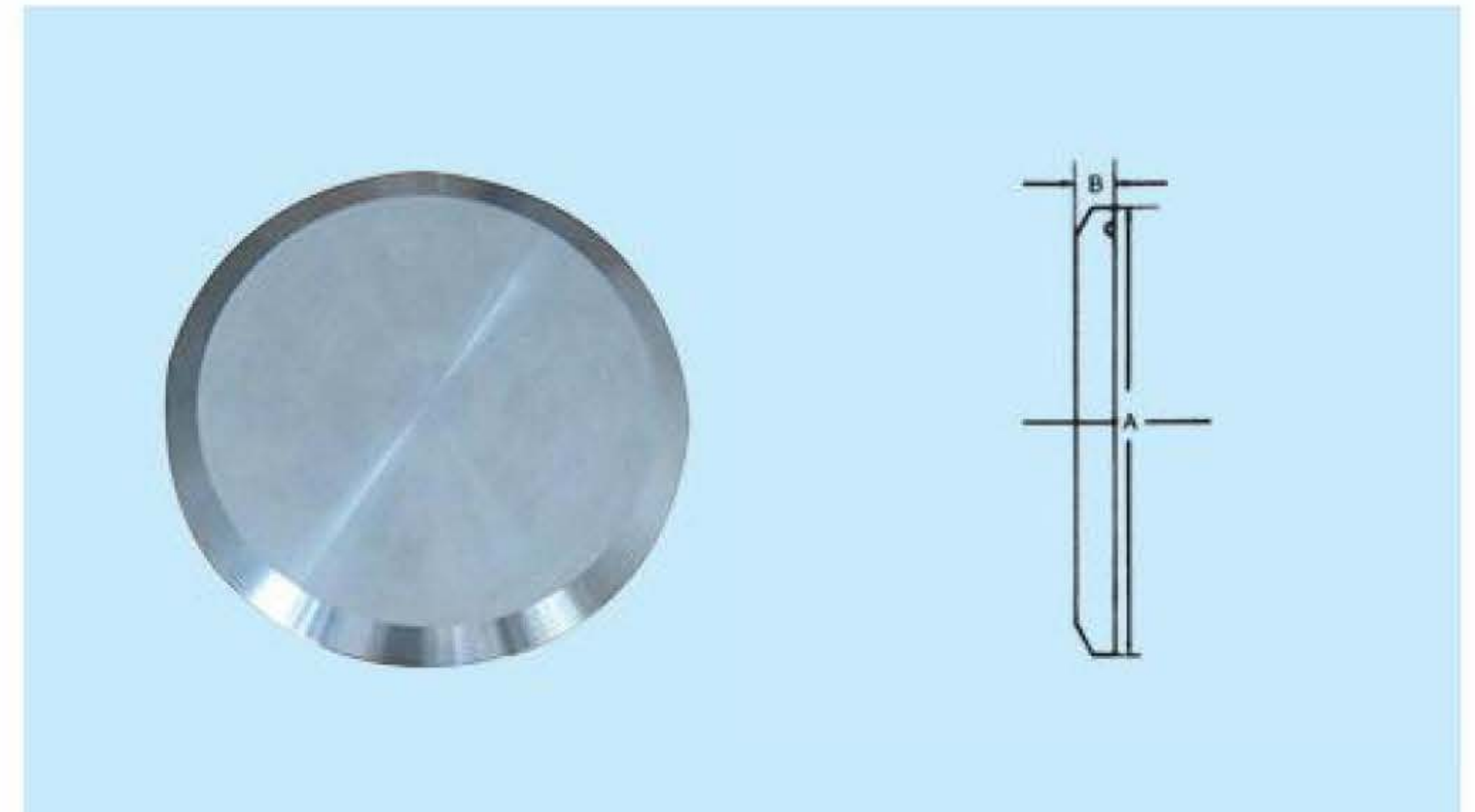




# 卫生级配件

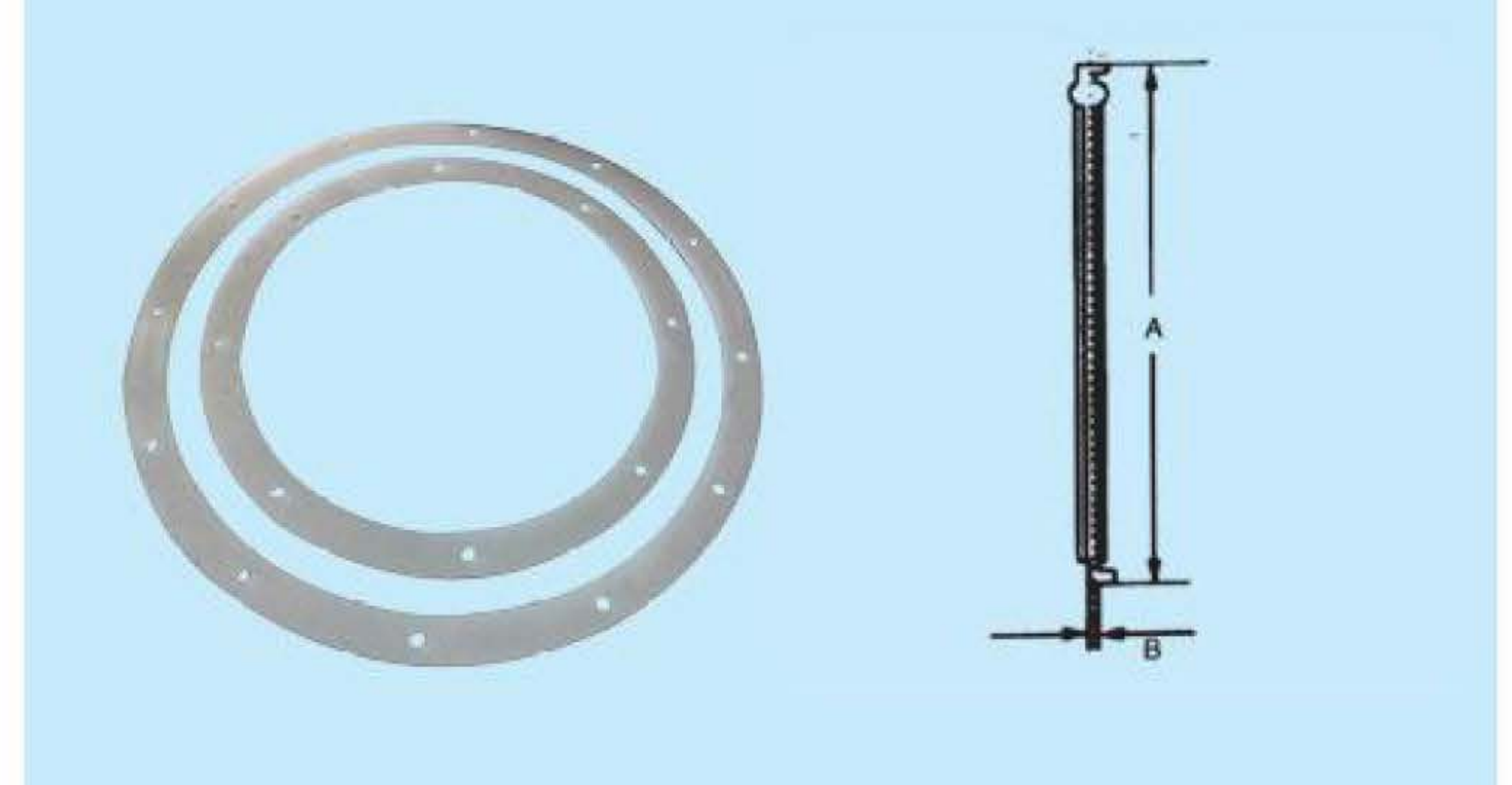
## 不锈钢快装堵头 Stainless steel quick plug

SIZE	D	A	B
1" -1 1/2"	19-38	50.5	6.4
2"	50.8	64	6.4
2 1/2"	63.5	77.5	6.4
3"	76.2	91	6.4
3 1/2"	89.1	106	6.4
4"	101.6	119	6.4



## 卫生硅橡胶衬垫 Health silicone rubber gasket

SIZE	D	A	B
1" -1 1/2"	19-38	52.2	2
2"	50.8	66.2	2
2 1/2"	63.5	79.7	2
3"	76.2	93.8	2
3 1/2"	89.1	106	2
4"	101.6	121	2



## 不锈钢卫生快装接头 Stainless steel sanitary quick release coupling

SIZE	D	A	B	C
1"	25.4	50.5 ( 34 )	23	55
1 1/4"	31.8	50.5	28.5	60
1 1/2"	38.6	50.5	35.5	70
2"	50.8	64	47.8	80
2 1/2"	63.5	77.6	59.5	105
3"	76.2	91.1	72.3	110
3 1/2"	89.1	106	85	146
4"	101.6	119	97.6	160



## 不锈钢卫生快装三通 Stainless steel health fast loading tee

SIZE	D	A	B	C
1"	25.4	50.5 ( 34 )	23	55
1 1/4"	31.8	50.5	28.5	60
1 1/2"	38.6	50.5	35.5	70
2"	50.8	64	47.8	80
2 1/2"	63.5	77.6	59.5	105
3"	76.2	91.1	72.3	110
3 1/2"	89.1	106	85	146
4"	101.6	119	97.6	160

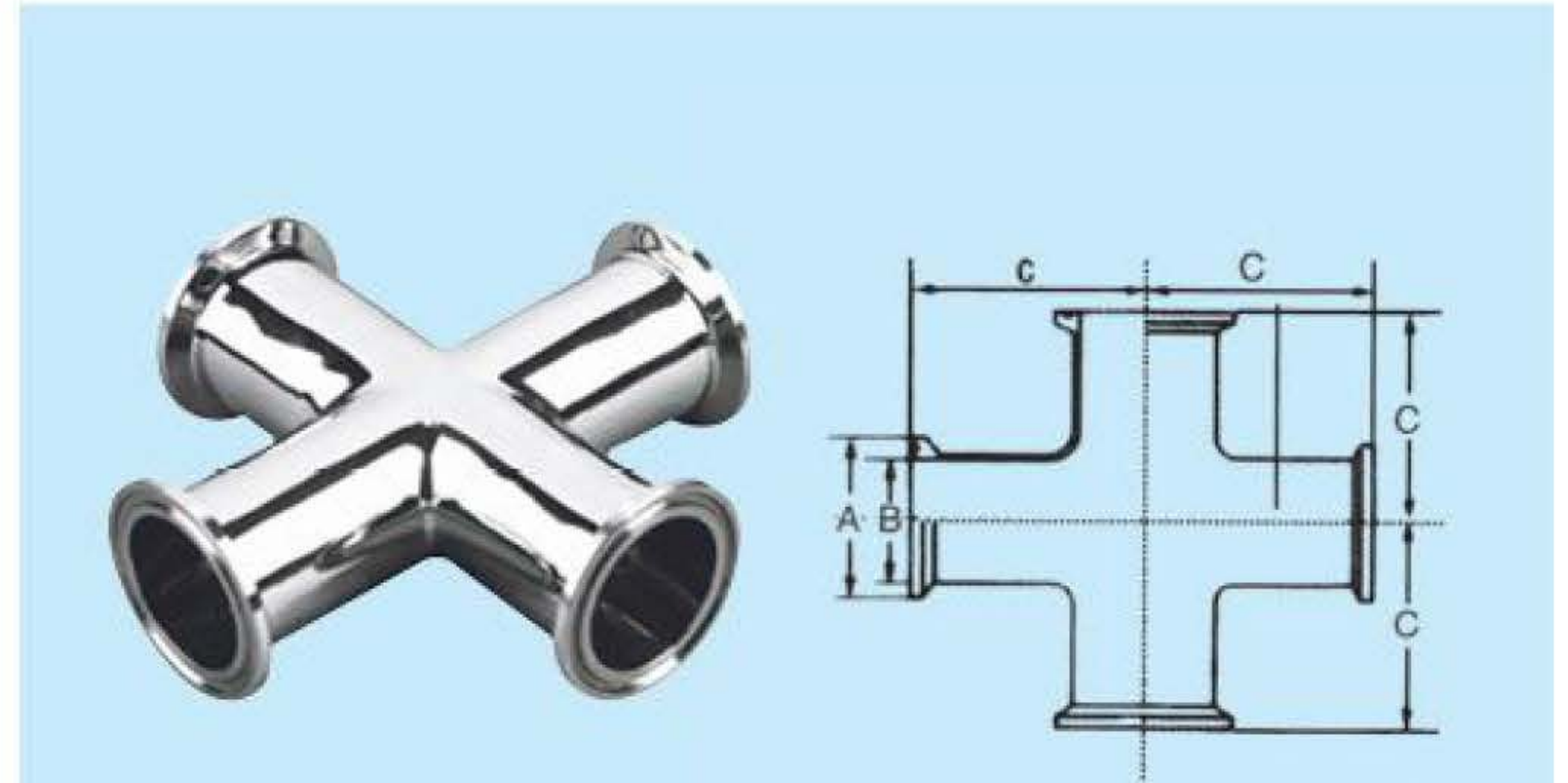




# 卫生级配件

## 不锈钢快装四通 Stainless steel quick cross

SIZE	Φ	A	B	C
1"	25.4	50.5 ( 34 )	23	55
1"	38.1	50.5	35.5	70
2"	50.8	64	47.8	82
2 1/2"	63.5	77.5	59.5	105
3"	76.3	91	72.3	110
4"	101.6	119	97.6	160



## 不锈钢快装 U 型三通管 Stainless steel tee U fast loading

D1	D2	A	B
2"	1"	200	170
2"	2"	200	170
2"	1 1/2"	200	170
1"	1"	180	150
1"	3/4"	180	150
1"	1"	145	125
1"		145	125
3/4"		135	100



## 不锈钢快装胶管接头 Stainless steel fast loading hose connector

SIZE	C	A
1"	25.4	70
1 1/4"	31.8	80
1 1/2"	38.1	90
2"	50.8	100
2 1/2"	63.5	120
3"	76.3	140
4"	101.6	160



## 不锈钢快装大小头 Stainless steel fast loading size head

SIZE	A
1" x 3/4"	60
2 1/2" x 1"	75
2" x 1 1/4"	85
2" x 1 1/2"	90
2 1/2" x 1 1/2"	100
2 1/2" x 2"	100
3" x 2 1/2"	120
4" x 3"	160

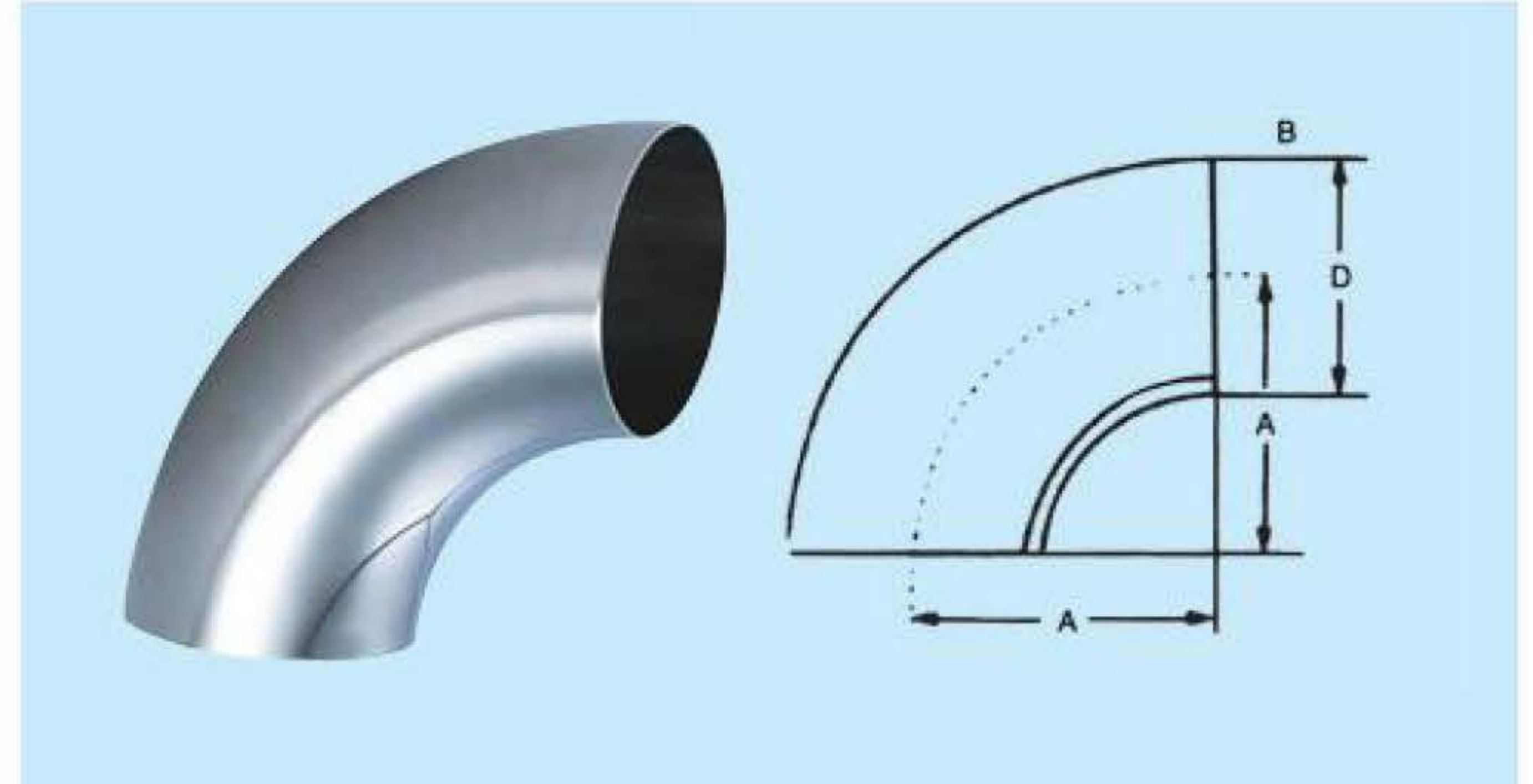




# 卫生级配件

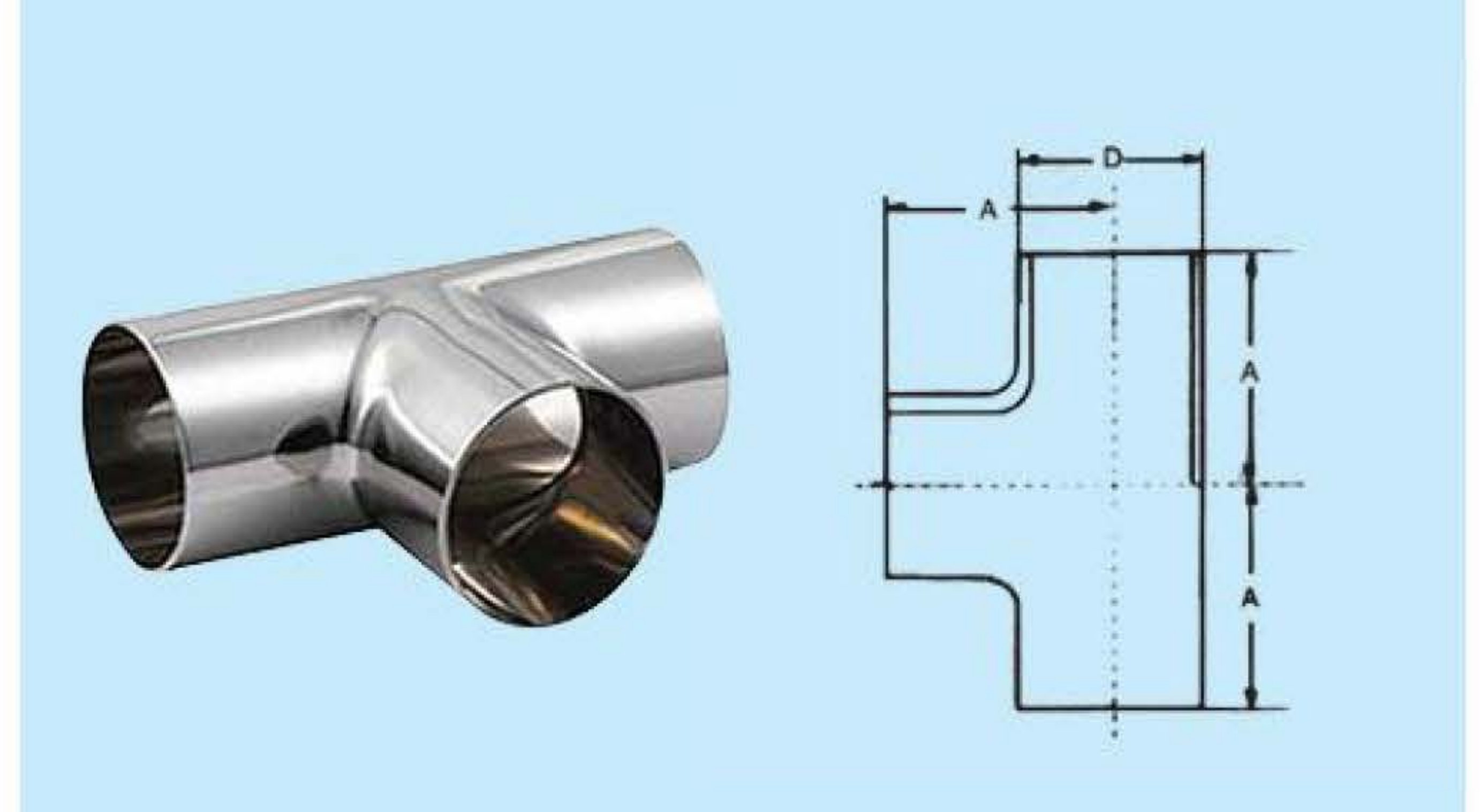
## 不锈钢焊接弯头 Stainless steel welding elbow

SIZE	D	A
1"	25.4	33.5
1 1/4"	31.8	41
1 1/2"	38.1	48.5
2"	50.8	60.5
2 1/2"	63.5	83.5
3"	76.3	88.5
3 1/2"	89.1	103.5
4"	101.6	127



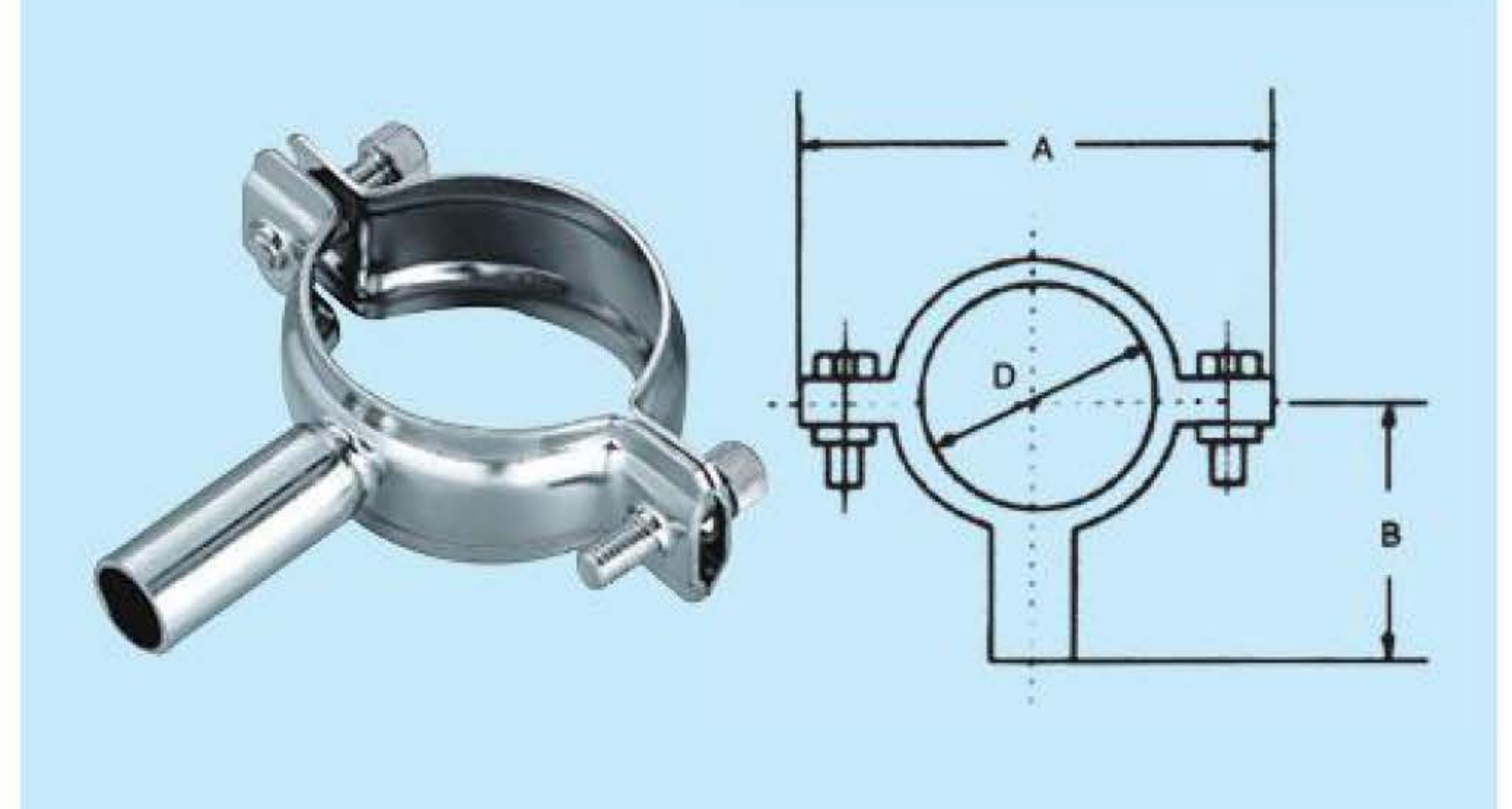
## 不锈钢卫生焊接式三通 Stainless steel welded tee

SIZE	D	A
1"	25.4	33.5
1 1/4"	31.8	41
1 1/2"	38.1	48.5
2"	50.8	60.5
2 1/2"	63.5	83.5
3"	76.3	88.5
3 1/2"	89.1	103.5
4"	101.6	127



## 不锈钢管支架 Stainless steel pipe scaffold

SIZE	D	A	B
1"	25.4	70	62
1 1/2"	38.1	88	69
2"	50.8	100	75
2 1/2"	63.5	112	82
3"	76.3	128	88
3 1/2"	89.1	140	95
4"	101.6	154	100



## 不锈钢焊接大小头 Stainless steel welding head size

DN	D1	D2	L
25 × 19	25.4	19.1	38
38 × 25	38.1	25.4	50
50 × 38	50.8	38.1	67
50 × 25	50.8	25.4	67
63 × 50	63.5	50.8	67
63 × 38	63.5	38.1	67
76 × 63	76.3	63.5	67
76 × 50	76.3	50.8	67
89 × 76	89.1	76.3	67
89 × 63	89.1	63.5	67

