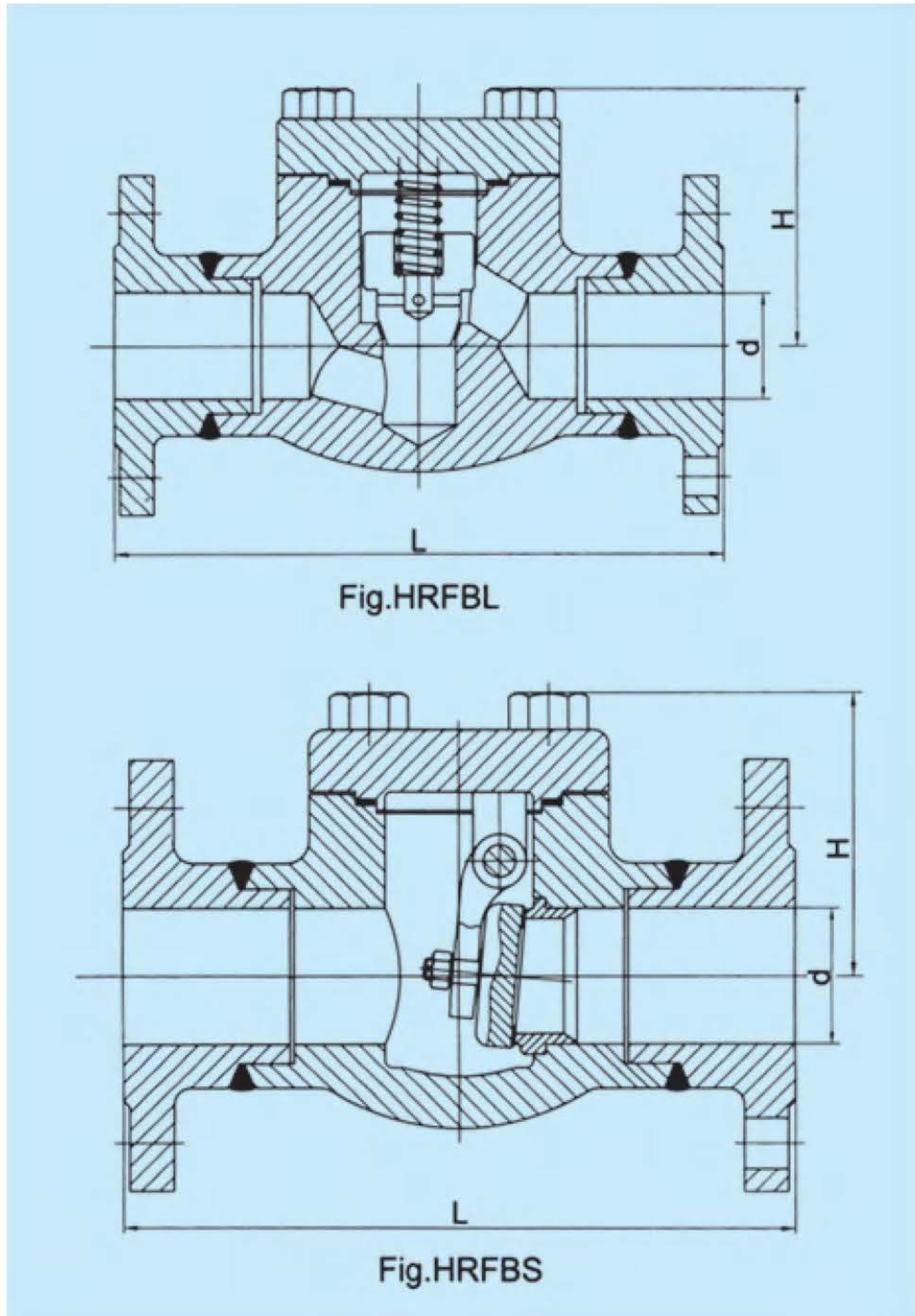


# 锻钢止回阀



**压力 Pressure: CLASS150 ~ 600**

- 栓接阀盖或焊接式阀盖  
Bolted bonnet or welded bonnet
- 全径  
Full Port
- 旋启式或升降  
Swing or Lift type
- 法兰连接或对焊连接  
Flange ends or Butt-welding ends

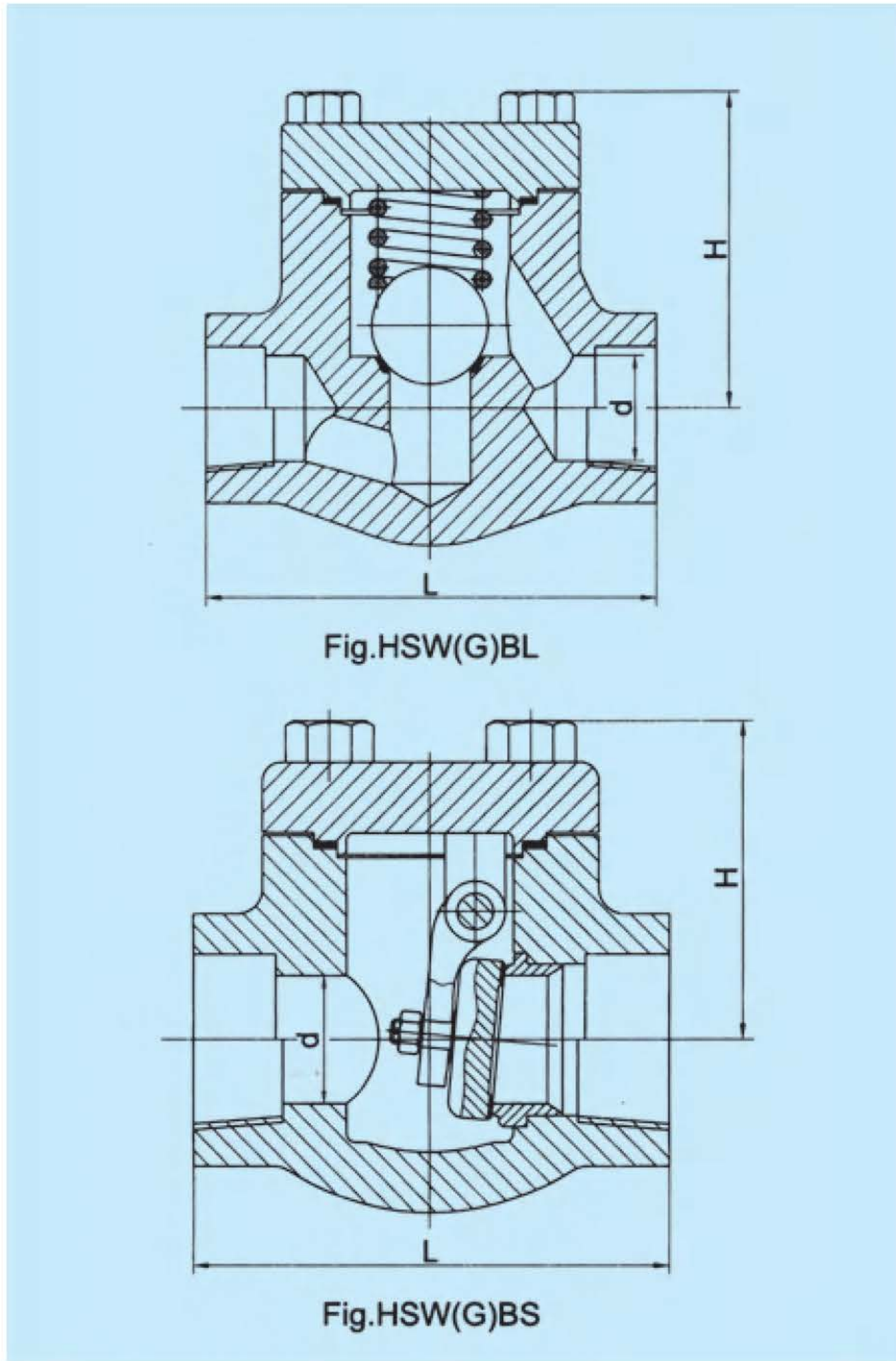
### 技术规范 Technical Specification

设计标准 Design Standard	ASME B 16.34/BS5352
压力温度等级 Pressure-Temperature Rating	ASME B 16.34
结构长度 Face-Face	ASME B 16.10
法兰型式尺寸 Flange Ends	ASME B 16.5
对焊端连接 Buttwelding Ends	ASME B 16.25
检验与试验 Inspection & Test	API 598

### 主要尺寸 Main dimension 单位 Unit(mm)

压力 Pressure	in.	d (缩径 reducing)	L <sub>RF</sub>	L <sub>BW</sub>	H	
					升降式 Lift type	旋启式 Swing type
CLASS 150	1/2 "	13	105	105	61	61
	3/4 "	18	117	117	78	74
	1 "	24	127	127	84	84
	1 1/4 "	29	140	140	103	101
	1 1/2 "	36.5	165	165	118	120
	2 "	46.5	203	203	130	133
CLASS 300	1/2 "	13	152	152	61	61
	3/4 "	18	178	178	78	78
	1 "	24	203	203	84	84
	1 1/4 "	29	216	216	103	101
	1 1/2 "	36.5	229	229	118	120
	2 "	46.5	267	267	130	133
CLASS 600	1/2 "	13	165	165	61	61
	3/4 "	18	190	190	78	78
	1 "	24	216	216	84	84
	1 1/4 "	29	229	229	103	101
	1 1/2 "	36.5	241	241	118	120
	2 "	43.6	292	292	130	133

# 锻钢止回阀



**压力 Pressure: CLASS900~ 1500**

- 栓接阀盖 / 焊接式阀盖  
Bolted Bonnet/welded Bonnet
- 全径  
Full Port
- 旋启式或升降式  
Sing or Lift type
- 螺纹连接或承插连接  
Flange ends/ Butt-welding ends

### 技术性能规范 Technical Specification

技术规范 Technical Specification	ASME/API/BS
设计标准 Design Standard	BS5352
压力温度等级 Pressure-Temperature Rating	ASME B16.34
结构长度 Structure length	工厂标准 Factory Standard
承插焊端连接 Socket-welded Ends	ASME B16.11
螺纹连接 Threaded Ends	ASME B1.20.1
检验与试验 Inspection & Test	API 598

### 主要尺寸 Main dimension 单位 Unit(mm)

压力 Pressure	结构形式 Structure	in		d		L	H
		缩径 reducing	全径 Full size	缩径 reducing	全径 Full size		
CLASS900	旋启式 Swing Type	1/2 "	3/8 "	10	10	79	61
		3/4 "	1/2 "	13	13	92	61
		1 "	3/4 "	18	18	111	78
		1 1/4 "	1 "	24	24	120	84
		1 1/2 "	1 1/4 "	29	29	152	103
		2 "	1 1/2 "	36.5	36.5	172	118
CLASS1500	升降式 Lift Type	1/2 "	3/8 "	10	10	79	61
		3/4 "	1/2 "	13	13	92	61
		1 "	3/4 "	18	18	111	78
		1 1/4 "	1 "	24	24	120	84
		1 1/2 "	1 1/4 "	29	29	120	101
		2 "	1 1/2 "	36.5	36.5	140	120