

# 四通球阀

## 产品概述 Product overview

四通球阀的填料选用编织、柔性石墨密封圈或四氟烯密封圈，阀杆在一定的润滑情况下实现可靠的密封。在石油、天然气、煤炭和矿石的开采、提炼加工等管道输送系统中广泛的应用，密闭在各类管路系统中用于截断或接通介质流向，使介质按照预定的程序输送到各个指定点。

Four-way valve packing choose knitting, flexible graphite sealing ring or ptf seals, valve stem under the condition of certain lubrication realize reliable seal. In oil, natural gas, coal and iron ore mining, refining processing is widely used in pipeline system, such as closed in all kinds of pipeline system used for blocking the flow direction of medium or through, the media in accordance with the scheduled program delivery to the specified point.

## 产品特点 Product features

- 球体和阀体的连接管道截面相等，且球体通道采用圆弧连接，介质通过球体是，流体阻力小。
- 阀座采用具有一定弹性变形和高强度的 PTFE 材料，达到良好密封性能保证了阀门的稳定性。
- 阀门的阀芯和光见颈材料采用奥氏不锈钢，阀座材料选用 PTFE，能达到良好的抗腐蚀性作用，延长了阀门的使用寿命。
- 球阀启闭时阀杆只作旋转运动，因此阀杆的填料密封不易被破坏，而且阀杆倒密封的密封力随着介质压力的增加而增大。
- 球阀通道平整光滑，不易沉积介质，可以进行管线通球。
- DN150 以下为浮球形式，DN200 以下为固定球形式。
- Sphere and body connection pipeline section is equal, and spheres channel USES the arc connection, medium through the sphere is, fluid resistance is small.
- Low seat USES the elastic deformation and high strength of PTFE material, good sealing performance to ensure the stability of the valve.
- Low valve of the valve core and light see neck austenite stainless steel material, the seat material chooses PTFE, can achieve good corrosion resistance, prolong the service life of the valve.
- Low ball valve opening and closing the valve stem make rotation movement only, so valve stem packing seal is not easy to be destroyed, and the valve stem to pour sealing sealing force with medium pressure increases.
- Low ball valve channel level off is smooth, not easy to deposit medium, can undertake pipeline ball.
- DN150 following form for floating ball, DN200 fixed ball form are as follows.

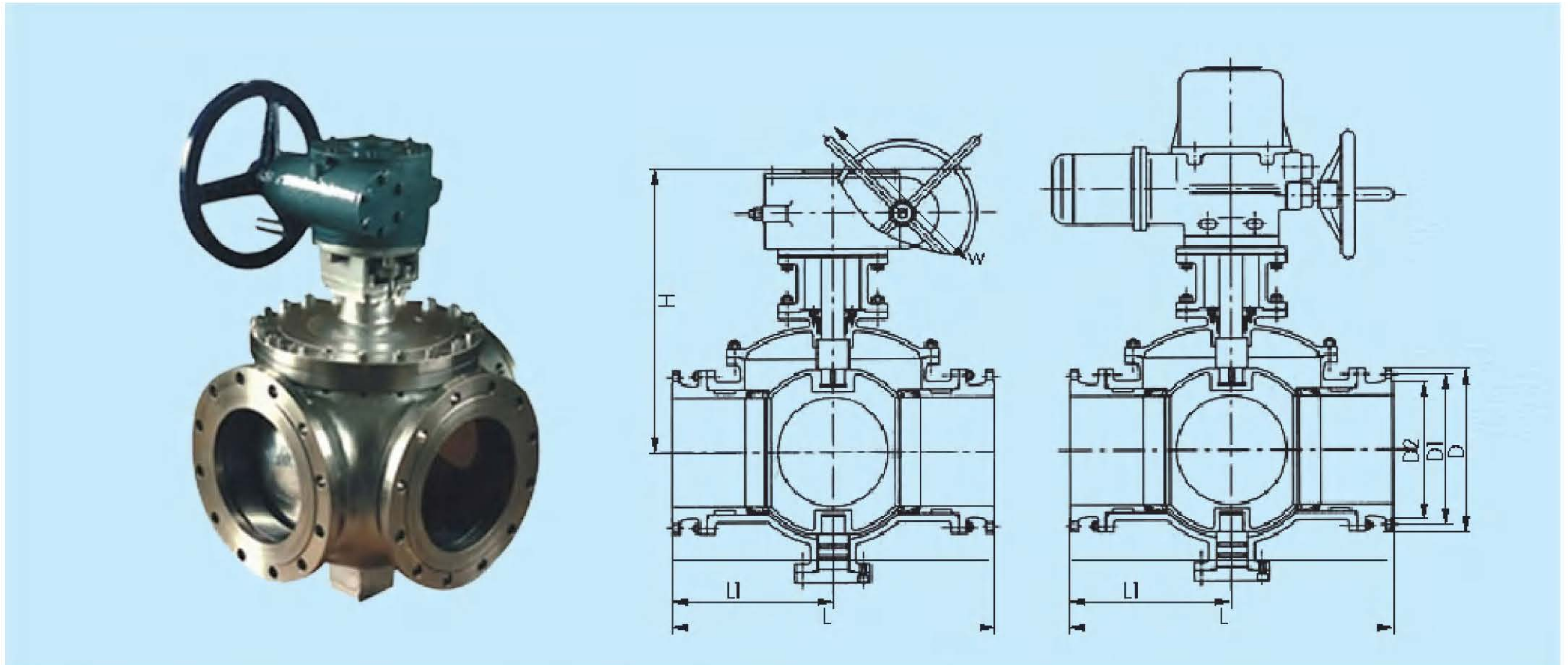
## 产品采用标准 Product Specification

设计标准 Design standard	结构长度 Structural length	连接法兰 Flanged ends	试验和检验 Inspection and test
GB12237-89	ZMV-2002	JB79	GB 13927-89

## 主要零件材料 The major parts material

序号 No.	零件名称 Name	材质 material	
01	底盖 Bottom cover	25	1Cr18Ni9Ti 1Cr18Ni12Mo2Ti
02	底盖螺钉 Bottom cover screw	35CrMOA	1Cr17Ni2
03	垫圈 gasket	氟橡胶 Fluorine rubber; PTFE; 金属夹石墨 metal clip graphite	
04	止推轴承 Thrust bearing	金属夹 metal clip PTFE	
05	下阀杆 Lower Stem	2Cr13	1Cr18Ni9Ti 1Cr18Ni12Mo2Ti
06	下阀杆轴承 rod bearing	金属夹 metal clip PTFE	
07	排污塞 Drain plug	2Cr13	1Cr18Ni9Ti 1Cr18Ni12Mo2Ti
08	阀体 body	WCB	ZG1Cr18Ni9Ti ZG1Cr18Ni12Mo2Ti
09	阀座 O 型圈 seat o-rings	氟橡胶 Fluorine rubber	氟橡胶 Fluorine rubber
10	阀座弹簧 seat spring	17-7PH	17-7PH
11	阀座 seat	PTFE;PPL	PTFE;PPL
12	阀座支承圈 seat bearing ring	25 镀铬 Chrome plated	1Cr18Ni9Ti 1Cr18Ni12Mo2Ti
13	球体 sphere	1Cr18Ni9Ti	1Cr18Ni9Ti 1Cr18Ni12Mo2Ti
14	球体键 Key spheres	40Cr	1Cr17Ni2
15	上阀杆 Upper Stem	2Cr13	1Cr18Ni9Ti 1Cr18Ni12Mo2Ti
16	侧盖 Side cover	WCB	ZG1Cr18Ni9Ti ZG1Cr18Ni12Mo2Ti
17	垫圈 gasket	氟橡胶 Fluorine rubber; PTFE; 金属夹石墨 metal clip graphite	
18	螺母 nut	45	0Cr18Ni
19	双头螺柱 Double-headed stud	35CrMOA	1Cr17Ni2
20	垫圈 gasket	氟橡胶 Fluorine rubber; PTFE; 金属夹石墨 metal clip graphite	
21	阀盖 cover	WCB	ZG1Cr18Ni9Ti ZG1Cr18Ni12Mo2Ti
22	止推轴承 Thrust bearing	PTFE	PTFE
23	压环 Pressure ring	25 镀铬 Chrome plated	1Cr18Ni9Ti 1Cr18Ni12Mo2Ti
24	填料函 O 型圈 Packing o-rings	氟橡胶 Fluorine rubber	氟橡胶 Fluorine rubber
25	阀杆 "O" 型圈 Stem type "O" ring	氟橡胶 Fluorine rubber	氟橡胶 Fluorine rubber
26	阀杆填料 Stem packing	石墨 graphite	
27	填料压盖 Packing gland	25 镀铬 Chrome plated	1Cr18Ni9Ti 1Cr18Ni12Mo2Ti
28	螺钉 screw	35CrMOA	1Cr17Ni2
29	支架 stents	WCB	WCB
30	键 key	40Cr	1Cr17Ni2

# 四通球阀



主要外形尺寸 ( mm ) Main External and Connection Dimension

型号 type	DN	L	D	D1	D2	H	W	L 1
Q46F-16C/P/R	15	140	95	65	45	90	140	70
	20	160	105	75	55	95	140	80
	25	180	115	85	65	105	155	90
	32	200	135	100	76	115	250	100
	40	220	145	110	85	135	250	110
	50	240	160	125	100	140	350	120
	65	260	180	145	120	155	350	130
	80	280	195	160	135	185	420	140
	100	320	215	180	155	210	700	160
	125	380	245	210	185	275	1000	190
	150	440	280	240	210	305	1300	220
	200	540	335	295	265	335	1800	270
Q46F-25C/P/R	15	140	95	65	45	90	140	70
	20	160	105	75	55	95	140	80
	25	180	115	85	65	105	155	90
	32	200	135	100	78	115	250	100
	40	220	145	110	85	135	250	110
	50	240	160	125	100	140	350	120
	65	260	180	145	120	155	350	130
	80	280	195	160	135	185	420	140
	100	320	230	190	160	210	700	160
	125	380	270	220	188	275	1000	190
	150	440	300	250	218	305	1300	220
	200	540	360	310	278	335	1800	270
Q46F-40C/P/R	15	140	95	65	45	90	140	70
	20	160	105	75	55	95	140	80
	25	180	115	85	65	105	155	90
	32	200	135	100	78	115	250	100
	40	220	145	110	85	135	250	110
	50	240	160	125	100	140	350	120
	65	260	180	145	120	155	350	130
	80	280	195	160	135	185	420	140
	100	320	230	190	160	210	700	160
	125	380	270	220	188	275	1000	190
	150	440	300	250	218	305	1300	220
	200	540	375	320	282	335	1800	270