

侧装式偏心半球阀

产品概述 Product overview

侧装式偏心半球阀的密封半球体装配是从法兰一侧装入。这种结构方便维修，不用从管道上整个拆卸，更耐磨，操作更轻松等优点。侧装式偏心半球阀是新一代通用球阀，因其优越的性价比将是未来其他球阀的最佳替代产品。侧装式偏心半球阀借助驱动机构带动阀轴转动90°运动。此时，固定在阀轴上的偏心阀瓣（半球）同步旋转90°。顺时针旋转，偏心阀瓣进入阀座，在偏心作用下形成楔型机构。阀瓣逐渐压紧阀座，实现密封，关闭阀门。逆时针旋转时，偏心阀瓣则迅速脱离阀座，旋转90°时，阀门为全开状态。偏心半球阀适用范围：该系列阀门适用于石油，化工、冶金、电力、造纸，煤气，沙浆，矿浆等各中低压管路系统。

Eccentric side mounted half ball valve seal and half sphere assembly from the flange on one side of the load. This kind of structure, convenient maintenance, without the whole disassembly from the pipeline, more wear-resisting, easy operation etc. Eccentric side mounted ball valve is a new generation of universal ball valve, because of its superior cost performance will be the best alternative to other ball valve products. Eccentric side mounted half ball valves with the help of a driving mechanism drives the valve shaft rotate 90°. At this point, the eccentric disc fixed on the valve shaft (hemisphere) synchronous rotate 90°. Clockwise, eccentric disc into the seat, formed under the action of eccentric wedge mechanism. Disc gradually clamp seat, sealing, close the valve. Counterclockwise, the eccentric disc quickly out of the seat, rotated 90°, the valve is fully open. Half of an eccentric valve scope of application: this series of valves used in oil, chemical industry, metallurgy, electric power, papermaking, coal gas, mortar, pulp and so on various of low pressure pipeline system.

产品采用标准 Product Specification

设计标准 Design standard	结构长度 Structural length	连接法兰 Flanged ends	试验和检验 Inspection and test
GB/T122372005 API608	GB/T122212005 ASME/ANSI B16.10	JB/T79.1~42000 ASME/ANSI B16.5	GB/T122372005 API608

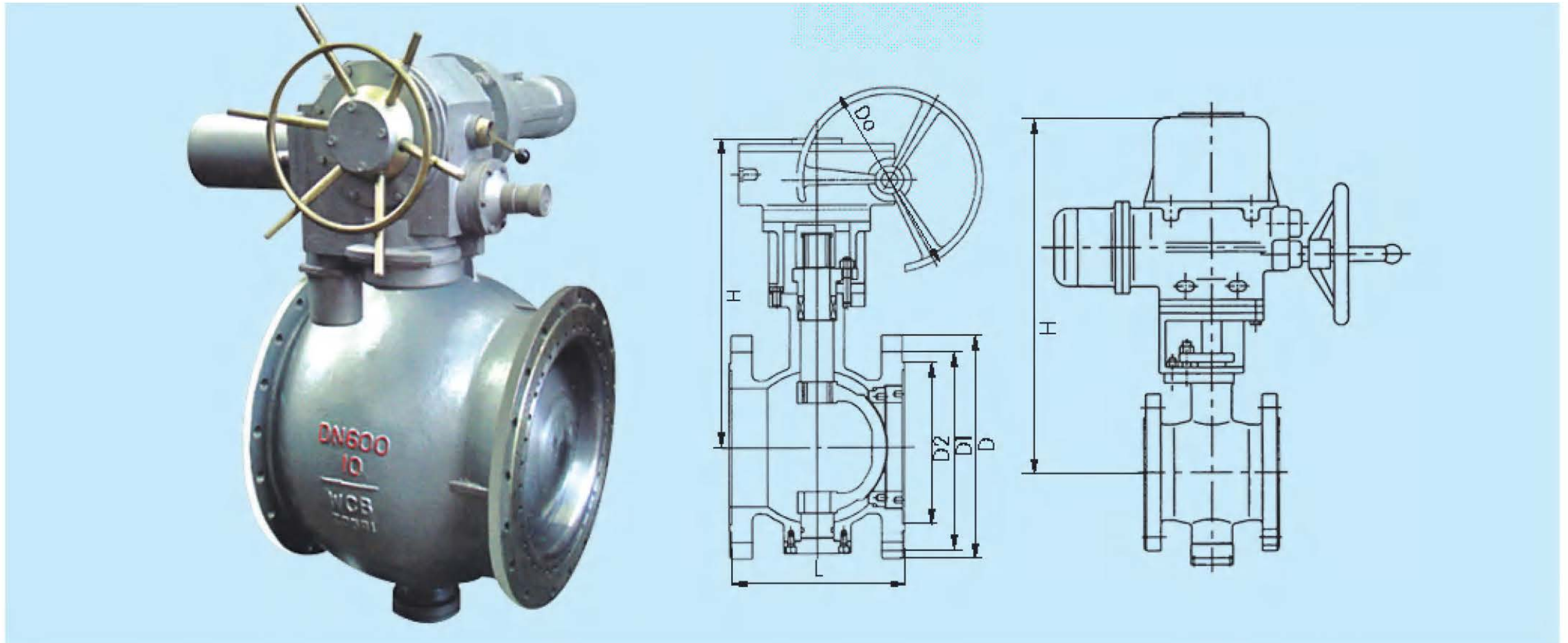
主要性能规范 Main performance specification

公称压力 Nominal pressure	1.6	2.5	4.0	6.4	Class150	Class300	Class600
常温最大工作压力 (MPa) maximum working pressure	1.6	2.5	4.0	6.4	2.0	5.0	10.0
壳体试验压力 (MPa) Shell test pressure	2.4	3.8	6.0	9.6	3.0	7.5	15.0
气密封试验压力 (MPa) Gas seal test pressure	0.6	0.6	0.6	0.6	0.6	0.6	0.6
高压密封试验压力 (Mpa) High pressure seal test pressure	1.76	2.75	4.4	7.1	2.2	5.5	11.0
渗透率 permeability	< 0.1 × DNmm ³ /s (符合 GB/T13927-2005 标准) (accordance with GB/T13927-2005 standard)						
适用温度 (°C) Suitable temperature	软密封 Soft seal: -40°C ~350°C; 硬密封 Hard seal: -50°C ~600°C						
适用介质 Applicable medium	天然气、水蒸汽、油品类、酸类、碱类、煤粉、煤灰、废渣、泥浆、含颗粒状、含纤维等各类介质 Natural gas, steam, oil, acid, alkali, pulverized coal, fly ash, slag, mud, containing granular, fiber and other kinds of media						
传动形式 transmission form	蜗轮传动、电动传动、气动传动、液动传动 Worm gear drive, electric drive, pneumatic drive, hydraulic drive						

主要零件材料 The major parts material

阀体、盖 Body cover	GB	WCB	ZG1Cr18Ni9Ti	ZG0Cr18Ni12Mo2Ti	ZG15Cr1Mo1V
	ASTM	A216 WCB	CF8	CF8M	WC9
球体 sphere	GB	WCB+ 铬 chrome	1Cr18Ni9Ti 表面特殊处理 Special surface treatment	0Cr18Ni12Mo2Ti 表面特殊处理 Special surface treatment	25Cr2Mo1V 表面特殊处理 Special surface treatment
	ASTM	A216 WCB+ 铬 chrome	304+HF	316+HF	F22a+HF
阀杆 stem	GB	2Cr13	1Cr18Ni9Ti	0Cr18Ni12Mo2Ti	25Cr2Mo1V
	ASTM	420	304	316	F22a
阀座 seat	GB	Q235A+PTFE 堆焊 surfacing	1Cr18Ni9Ti/PTFE	0Cr18Ni12Mo2Ti/PTFE	25Cr2Mo1V/PTFE
	ASTM	420/PTFE	304/PTFE	316/PTFE	F22a/PTFE
填料 packing	GB	柔性石墨 Flexible graphite	柔性石墨 Flexible graphite	柔性石墨 Flexible graphite	柔性石墨 Flexible graphite
	ASTM	柔性石墨 Flexible graphite	柔性石墨 Flexible graphite	柔性石墨 Flexible graphite	柔性石墨 Flexible graphite
螺栓 bolt	GB	35	0Cr18Ni9	0Cr18Ni9	15Cr1Mo1V
	ASTM	A193 B7	A320-B8	A320-B8	A193 B16
螺母 nut	GB	45	0Cr18Ni9	0Cr18Ni9	20Cr1Mo
	ASTM	A194 B7	194-8	194-8	A194-4

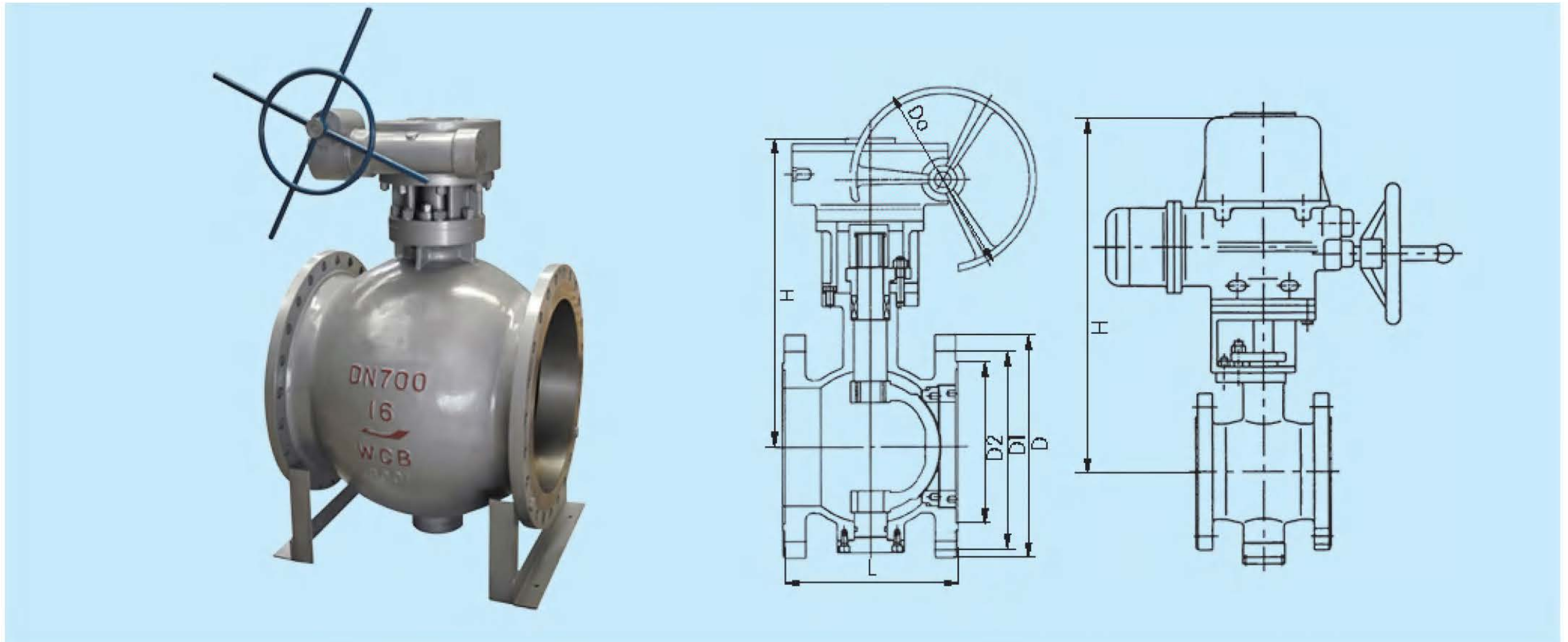
侧装式偏心半球阀



主要外形尺寸 (mm) Main External and Connection Dimension

型号 type	DN	L	D	D1	D2	H		Do
						蜗轮 Worm gear	电动 electric	
DQ40F -16C/P/R	100	200	215	180	155	330	380	400
	125	254	245	210	185	345	405	400
	150	267	280	240	210	370	440	500
	200	292	335	295	265	405	470	650
	250	330	405	355	320	480	540	650
	300	356	460	410	375	520	580	650
	350	430	520	470	435	570	630	650
	400	530	580	525	485	630	710	650
	450	580	640	585	545	690	770	700
	500	630	705	650	608	740	820	700
	600	800	840	770	718	840	940	700
	700	900	910	840	788	960	1040	700
	800	1000	1020	950	898	1080	1180	1400
	900	1100	1120	1050	998	1190	1280	1400
1000	1200	1255	1170	1110	1310	1420	1400	
DQ40F -25P/R	100	200	230	190	160	330	380	450
	125	254	270	220	188	345	405	450
	150	267	300	250	218	370	440	500
	200	292	360	310	278	405	470	650
	250	330	425	370	332	480	540	650
	300	356	485	430	390	520	580	650
	350	430	550	490	448	570	630	650
	400	530	610	550	505	630	710	650
	450	580	660	600	555	690	770	700
	500	630	730	660	610	740	820	700
	600	800	840	770	718	840	940	700
	700	900	955	875	815	960	1040	700
	800	1000	1070	990	930	1080	1180	1400
	900	1100	1180	1090	1025	1190	1280	1400
1000	1200	1305	1210	1140	1310	1420	1400	

侧装式偏心半球阀



主要外形尺寸 (mm) Main External and Connection Dimension

型号 type	DN	L	D	D1	D2	H		Do
						蜗轮 Worm gear	电动 electric	
DQ40F-40P/R	50	180	160	125	100	295	330	450
	80	200	195	160	135	330	365	450
	100	229	230	190	160	330	380	450
	125	254	270	220	188	345	405	450
	150	267	300	250	218	370	440	500
	200	292	375	320	282	405	470	650
	250	330	445	385	345	480	540	650
	300	390	510	450	408	520	580	650
	350	430	570	510	465	570	630	650
	400	530	655	585	535	630	710	650
	500	660	755	670	612	690	770	700
	600	840	890	795	730	740	820	700
	700	900	995	900	835	840	940	700
DQ40F-64P/R	50	180	175	135	105	295	330	450
	80	200	210	170	140	330	365	450
	100	229	250	200	168	330	380	450
	125	254	295	240	202	345	405	450
	150	267	304	280	240	370	440	500
	200	292	405	345	300	405	470	650
	250	330	470	400	352	480	540	650
	300	390	530	460	412	520	580	650
	350	430	595	525	475	570	630	650
	400	530	670	585	525	630	710	650
	500	660	800	705	640	690	770	700
	600	840	930	820	750	740	820	700
	700	900	1045	935	865	840	940	700