

三通球阀

产品概述 Product overview

三通球阀有 T 型和 L 型。T 型能使三条正交的管道相互联通和切断第三条通道，起分流、合流作用。L 型只能连接相互正交的两条管道，不能同时保持第三条管道的相互连通，只起分配作用。

Three-way ball valve with T and L. T can make three orthogonal pipes unicom and cut off the third channel, distributary, rivers. L can only connect two pipes, orthogonal cannot keep third pipeline connected to each other at the same time, the only assigned role.

产品特点 Product features

- 流体阻力小，其阻力系数与同长度的管段相等。
- 结构简单、体积小、重量轻。
- 紧密可靠，目前球阀的密封面材料广泛使用塑料、密封性好，在真空系统中也已广泛使用。
- 操作方便，开闭迅速，从全开到全关只要旋转 90°，便于远距离的控制。
- 维修方便，球阀结构简单，密封圈一般都是活动的，拆卸更换都比较方便。
- 在全开或全闭时，球体和阀座的密封面与介质隔离，介质通过时，不会引起阀门密封面的侵蚀。
- Low fluid resistance is small, its resistance coefficient with section of equal length.
- Second-ranking has simple structure, small volume, light in weight.
- Close and reliable, the widespread use of plastic ball valve sealing surface of materials, sealing is good, have been widely used in the vacuum system.
- Easy to operate, open and close quickly, from open to close as soon as rotate 90°, facilitate long-distance control.
- Low maintenance convenient, ball valve has simple structure, sealing ring are generally active, removal of replacement is more convenient.
- In full open or full close, sphere and valve seat sealing surface and the dielectric isolation, medium through, does not cause the valve sealing surface erosion.

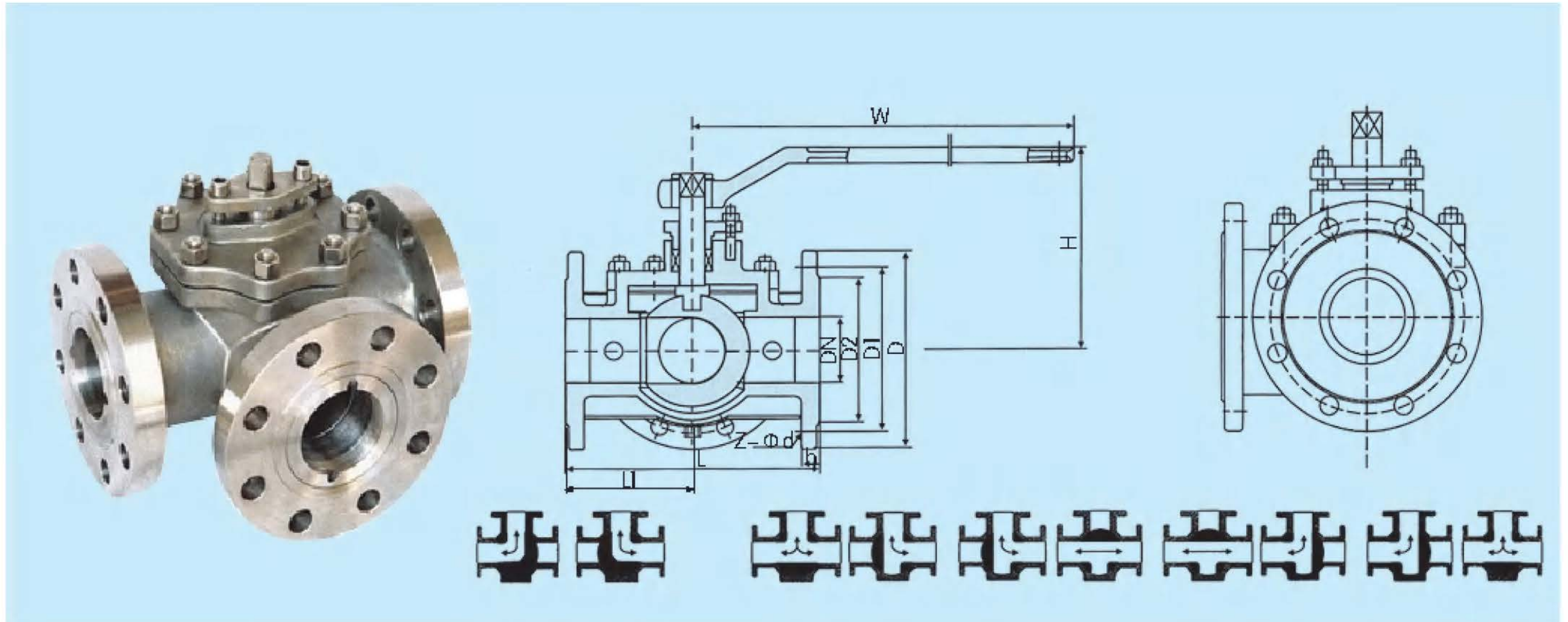
产品采用标准 Product Specification

设计标准 Design standard	结构长度 Structural length	连接法兰 Flanged ends	试验和检验 Inspection and test
GB12237-89	ZMV-2002	JB79	GB/T 13927 JB/T 9092

主要零件材料 The major parts material

序号 No.	零件名称 Name	材质 material	
01	排污塞 Drain plug	2Cr13	1Cr18Ni9Ti 1Cr18Ni12Mo2Ti
02	阀体 body	WCB	ZG1Cr18Ni9Ti ZG1Cr18Ni12Mo2Ti
03	阀座 O 型圈 seat o-rings	氟橡胶 Fluorine rubber	氟橡胶 Fluorine rubber
04	阀座弹簧 seat spring	17-7PH	17-7PH
05	密封圈 Sealing ring	PTFE;PPL	PTFE;PPL
06	阀座支承圈 seat bearing ring	25 镀铬 Chrome plated	1Cr18Ni9Ti 1Cr18Ni12Mo2Ti
07	球体 sphere	1Cr18Ni9Ti	1Cr18Ni9Ti 1Cr18Ni12Mo2Ti
08	球体键 Key spheres	40Cr	1Cr17Ni2
09	上阀杆 Upper Stem	2Cr13	1Cr18Ni9Ti 1Cr18Ni12Mo2Ti
10	侧盖 Side cover	WCB	ZG1Cr18Ni9Ti ZG1Cr18Ni12Mo2Ti
11	垫圈 gasket	氟橡胶 Fluorine rubber ; PTFE; 金属夹石墨 metal clip graphite	
12	螺母 nut	45	0Cr18Ni
13	双头螺柱 Double-headed stud	35CrM0A	1Cr17Ni2
14	垫圈 gasket	氟橡胶 Fluorine rubber; PTFE; 金属夹石墨 metal clip graphite	
15	阀盖 cover	WCB	ZG1Cr18Ni9Ti ZG1Cr18Ni12Mo2Ti
16	止推轴承 Thrust bearing	PTFE	PTFE
17	压环 Pressure ring	25 镀铬 Chrome plated	1Cr18Ni9Ti 1Cr18Ni12Mo2Ti
18	填料函 O 型圈 Packing o-rings	氟橡胶 Fluorine rubber	氟橡胶 Fluorine rubber
19	阀杆 "O" 型圈 Stem type "O" ring	氟橡胶 Fluorine rubber	氟橡胶 Fluorine rubber
20	阀杆填料 Stem packing		石墨 graphite
21	填料压盖 Packing gland	25 镀铬 Chrome plated	1Cr18Ni9Ti 1Cr18Ni12Mo2Ti
22	螺钉 screw	35CrM0A	1Cr17Ni2
23	支架 stents	WCB	WCB
24	键 key	40Cr	1Cr17Ni2
25	盲板 Blind flange	WCB	1Cr18Ni9Ti 1Cr18Ni12Mo2Ti

三通球阀



主要外形尺寸 (mm) Main External and Connection Dimension

型号 Type	DN	L	D	D1	D2	H	W	L1
Q44/45F-16C/P/R	15	140	95	65	45	90	140	70
	20	160	105	75	55	95	140	80
	25	180	115	85	65	105	155	90
	32	200	135	100	76	115	250	100
	40	220	145	110	85	135	250	110
	50	240	160	125	100	140	350	120
	65	260	180	145	120	155	350	130
	80	280	195	160	135	185	420	140
	100	320	215	180	155	210	700	160
	125	380	245	210	185	275	1000	190
	150	440	280	240	210	305	1300	220
200	540	335	295	265	335	1800	270	
Q44/45F-25C/P/R	15	140	95	65	45	90	140	70
	20	160	105	75	55	95	140	80
	25	180	115	85	65	105	155	90
	32	200	135	100	78	115	250	100
	40	220	145	110	85	135	250	110
	50	240	160	125	100	140	350	120
	65	260	180	145	120	155	350	130
	80	280	195	160	135	185	420	140
	100	320	230	190	160	210	700	160
	125	380	270	220	188	275	1000	190
	150	440	300	250	218	305	1300	220
200	540	360	310	278	335	1800	270	
Q44/45F-40C/P/R	15	140	95	65	45	90	140	70
	20	160	105	75	55	95	140	80
	25	180	115	85	65	105	155	90
	32	200	135	100	78	115	250	100
	40	220	145	110	85	135	250	110
	50	240	160	125	100	140	350	120
	65	260	180	145	120	155	350	130
	80	280	195	160	135	185	420	140
	100	320	230	190	160	210	700	160
	125	380	270	220	188	275	1000	190
	150	440	300	250	218	305	1300	220
200	540	375	320	282	335	1800	270	

注: Q44 为 "L" 型 Q45 为 "T" 型 Note: "L" type Q44 Q45 for "T" type