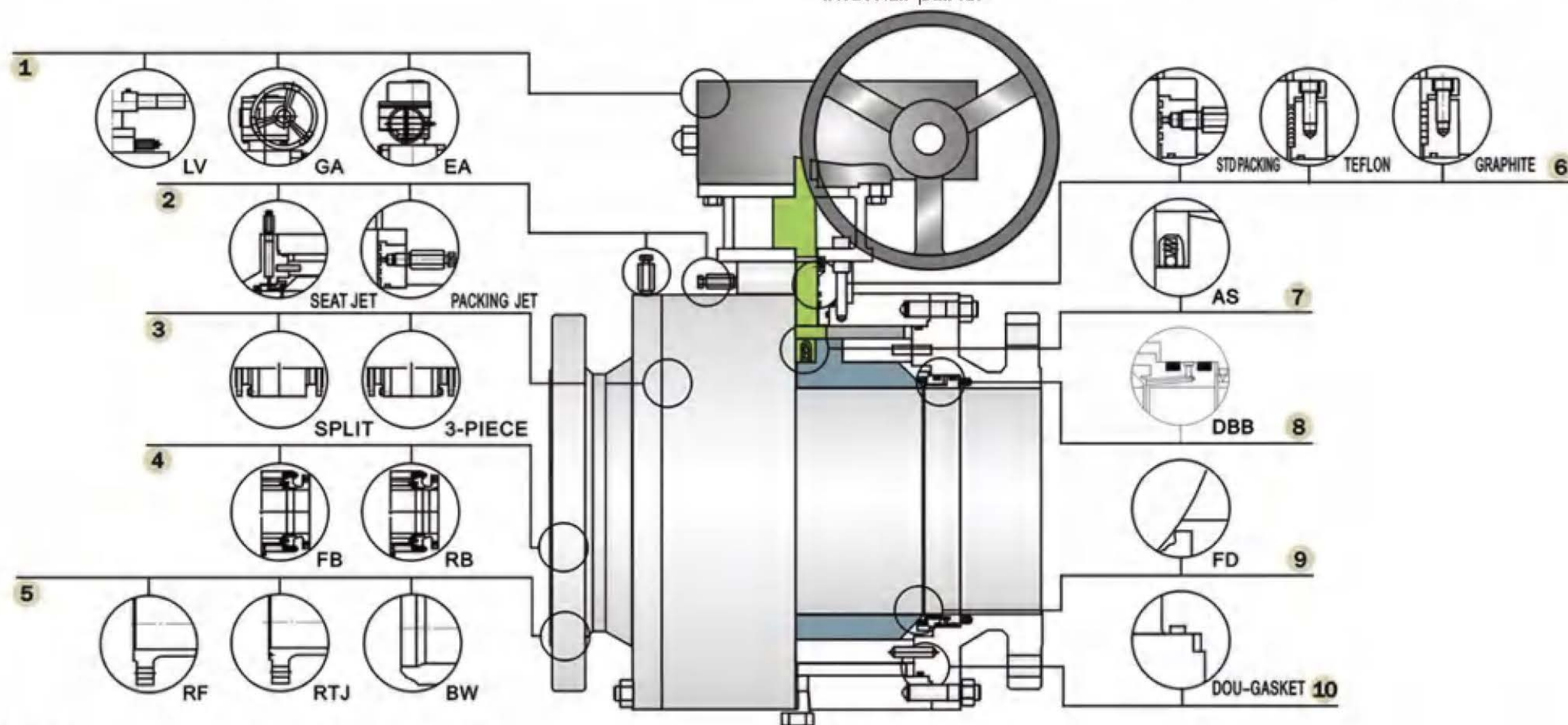


美标锻钢固定球阀

设计 Design

我公司铸钢球阀为提供最大的操作寿命和可靠性而设计和生产的，所有的球阀都符合美国石油学会标准 API608 和 API6D 的要求和英标 BS535 与美国机械工程师协会标准 ASME B16.34 一致。阀门由完整的阀体和内件组成。

My company Cast steel ball valves to provide maximum operation life and reliability of design and production, all the ball valves conform to the American petroleum institute standard API608 and API6D requirements and British standard BS535 is consistent with the standards of the American society of mechanical engineers ASME B16.34. The valve consists of a complete valve body and internal parts.



内件变化	Internal parts change
连接方式改变	Connection mode change
填料和垫片的改变	The change of the packing and gasket
固定式操作	Stationary operation
加长手柄	Longer handle
压力调节	Pressure regulation
静电弹簧 / 防火标准	Electrostatic spring/fire protection standards
客户的特殊铸造要求	Special casting requirements of customers
焊接端的内孔改变	Welding the inner hole change
氧 / 氯气的清洁及包装	Oxygen/chlorine gas cleaning and packaging

1、操作

用手柄更容易操作，同样也可以用蜗轮、电动、气动、液动，他们用于更艰难的环境下。

2、注脂阀

说明的部件已按照申请完成并且满足普通的环境。在污点处能够很好的密封并且很容易维修。

3、阀体—阀盖

不采用 3 片式 8" 以下的阀体、阀盖，用这种结构更方便于外部零件的修理和替换。

4、通径

可采用法兰连接、环连接、对接焊管件。

5、连接方式

可采用法兰连接、环连接、对接焊管件。

6、填料

标准填料一般采用特氟龙材质，保证填料在高循环的压缩和严峻的操作环境下，石墨填料适合高温条件下使用。

7、静电弹簧

这种连接总是在球体和阀杆 / 阀体之间运动卸载在操作过程中，最终静止。

8、双排双堵

当球体完全关闭或打开时阀体通穴是独立的，堵在里面的介质可以很容易地排出。避免过高的压力。

9、防火标准

根据 API607 或 BS6755 来设计，确保他们在发生火灾时的操作适用性，其次金属密封面当主要的密封面被火破坏时就像是一层隔离墙，符合 API607 的阀门带石墨填料和垫片。

10、垫片

采用高性能橡胶阀座和螺旋式石墨。

1, the operation

Handle is more easy to operate, also can use the worm gear, electric, pneumatic, hydraulic, they used to more difficult circumstances.

2, on the valve

Description of parts has been done according to the application and to meet the common environment. The stain can good sealing and easy to maintain.

3 a bonnet and valve body

Do not use 3 chip 8 "the following valve body, bonnet, with this kind of structure is more convenient to repair and replacement of external parts.

4, size

Can be connected by flange, ring joint, butt welding pipe fittings.

5, connection mode

Can be connected by flange, ring joint, butt welding pipe fittings.

6, packing

Standard teflon commonly used packing material, packing materials in high cycle compression and severe operating environment, graphite packing is suitable for use under high temperature.

7, electrostatic spring

The connection is always on the ball and stem/body movement between discharge plant during operation, in the end still.

8, double row double wall

When the sphere completely closed or open the valve hole is independent, plugging in the medium can be easily expelled. Avoid too much pressure.

9, fire prevention standards

According to the design, API607 or BS6755 to ensure their applicability in during the operation of the fire, the second metal sealing face when main sealing surface is destroyed by fire is like a layer of barrier, conforms to the API607 valve with graphite packing and gaskets.

10, gasket

Using high-performance rubber seat and graphite spiral.

美标锻钢固定球阀

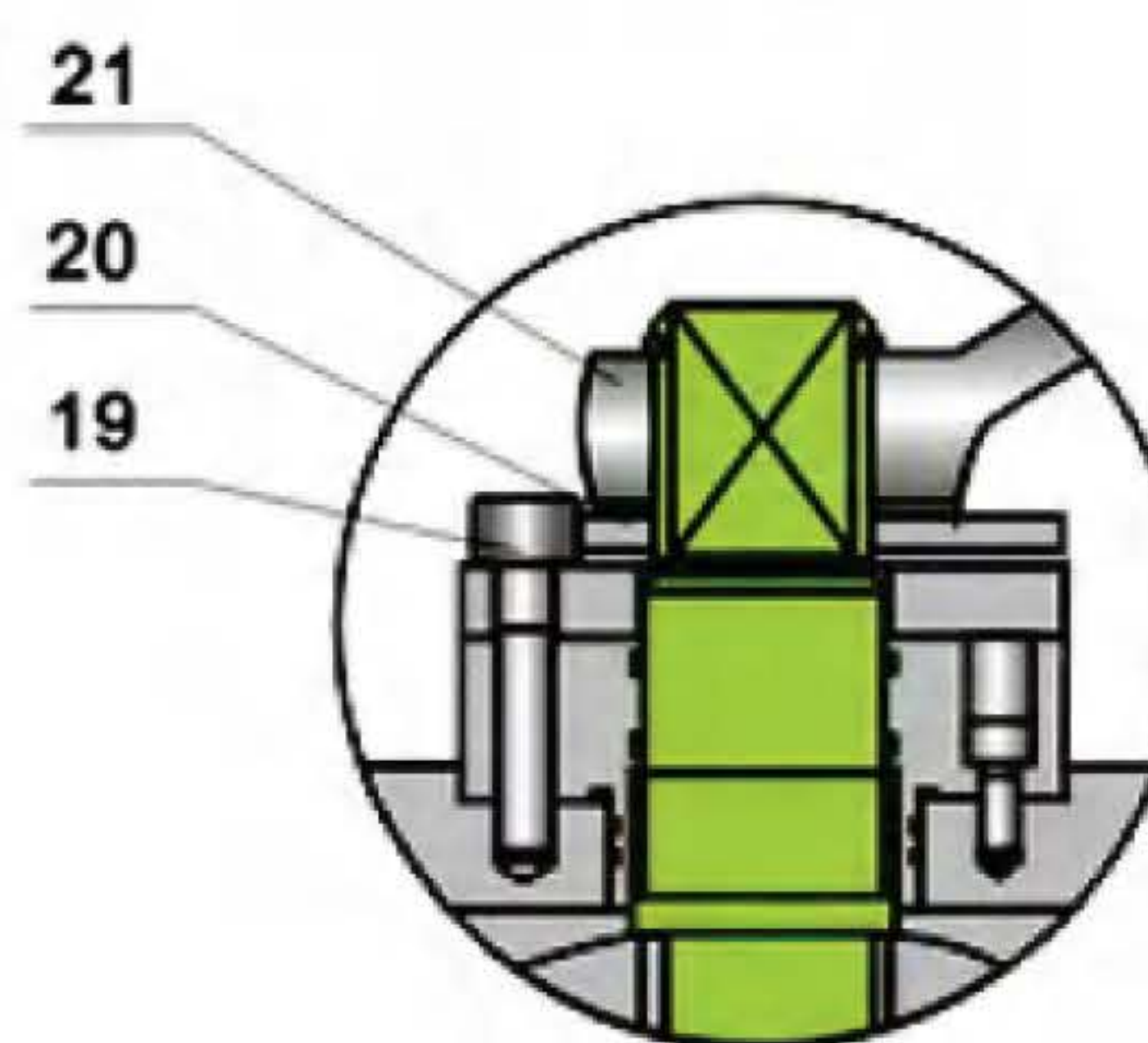
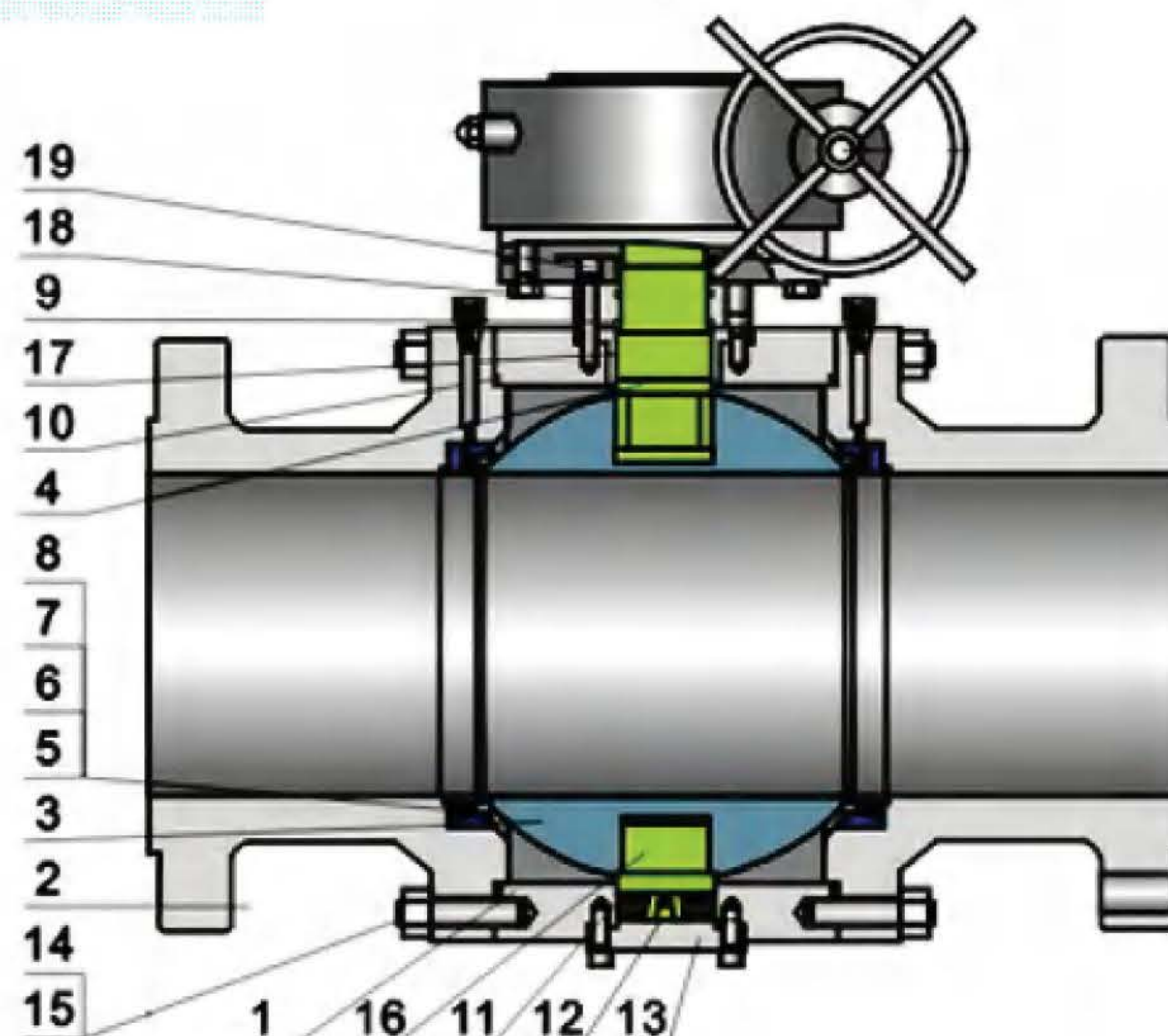
应用标准 Application standards

铸钢球阀符合 API 608/API 6D 标准
 铸钢球阀符合 ISO 10434/ISQ 14313 标准
 防火标志采用 API 607 标准
 防静电采用 API 608 标准
 铸钢符合 ASME B 16.34 标准
 结构长度符合 ASME B 16.10 标准
 法兰尺寸符合 ASME B 16.5 标准
 对接焊符合 ASME B 16.25 标准
 试验与检验符合 API 598/API 6D 标准

Cast steel ball valve in accordance with API 608 / API 6 d standard
 Cast steel ball valves conform to ISO 10434 / ISQ 10434 standard
 Fire signs with API 607 standard
 Antistatic with API 608 standard
 Cast steel in accordance with ASME B 16.34 standard
 Structure length in accordance with ASME B 16.10 standard
 Flange dimensions conform to the ASME B 16.5 standard
 Butt welding in accordance with ASME B 16.25 standard
 Test and inspection accord with API 598 / API 6D standard

设计描述 Design description

全口径设计	Full size design
螺栓连接	Bolt connection
固定结构	Fixed structure
防脱阀杆	Resistance from the valve stem
防火设计	Fire protection design
静电装置	Electrostatic device
切断装置	Cut off the device
ISO5211 固定盘	Fixed with ISO5211 disk
法兰 / 焊接端	Flange/welding end
蜗轮操作	Worm gear operation



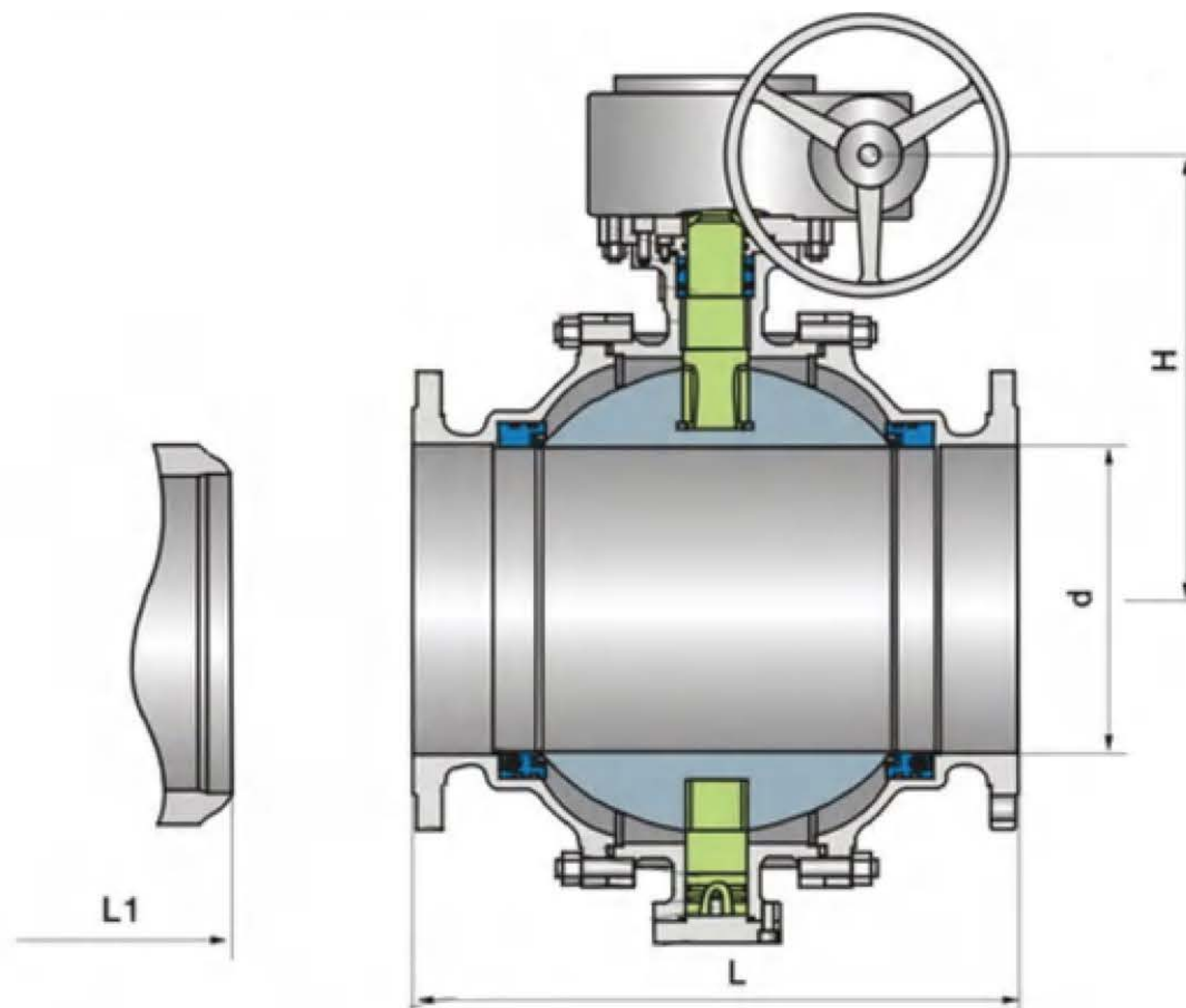
各部件材质 Each part material

序号 No.	零件名称 Parts Name	ASTM 材质 ASTM material		
1	阀体 valve body	A105	A182-F316	A350-LF2
2	阀盖 cover	A105	A182-F316	A350-LF2
3	球 ball	A182-F304	A182-F316	A182-F304
4	阀杆 valve stem	A276-304	A276-316	A276-304
5	阀座 The seat	A105+ENP	A182-F316	A350-LF2+ENP
6	阀座密封 Seat tightness	PTFE		
7	弹簧阀座 The spring seat	A313-304	Inconel X-750	A313-304
8	阀座 O 型圈 The seat o-rings	NBR	氟橡胶 Fluorine rubber	氟橡胶 Fluorine rubber
9	阀杆 O 型圈 Stem o-rings	NBR	氟橡胶 Fluorine rubber	氟橡胶 Fluorine rubber
10	阀盖垫片 Valve cover gasket	石墨 graphite+304	石墨 graphite+316	石墨 graphite+304
11	阀盖 O 型圈 valve bonnet o-rings	NBR	氟橡胶 Fluorine rubber	氟橡胶 Fluorine rubber
12	静电弹簧 Electrostatic spring	A313-304	A313-316	A313-304
13	底座 The base	A182-F304	A182-F316	A182-F304
14	螺栓 bolt	A193-B7	A193-B8	A320-L7
15	阀盖螺母 valve cover nut	A194-2H	A194-8	A194-4
16	固定器 holder	A276-304	A276-316	A276-304
17	固定轴承 Fixed bearing	304+PTFE	316+PTFE	304+PTFE
18	压盖 gland	A105	A182-F316	A350-LF2
19	压盖螺栓 Gland bolts	A193-B7	A193-B8	A193-B7
20	定位片 Locating piece	碳钢 Carbon steel	碳钢 Carbon steel+Zn	碳钢 Carbon steel
21	手柄 handle	碳钢 Carbon steel		

注释 :1、A105+ENP 可选择的
 2、缠绕石墨垫片
 3、可根据不同的介质选用不同的材质。

Note: 1. A105 + ENP optional
 2, winding graphite gaskets
 3, can choose different material according to different media.

美标锻钢固定球阀



外形尺寸 Overall dimensions (mm)

ANSI Class 150Lb																		
NPS	2	2 1/2	3	4	6	8	10	12	14	16	18	20	24	26	28	30	32	36
(RF) L	178	190	203	229	394	457	533	610	686	762	864	914	1067	1143	1245	1295	1372	1524
(BW)L1	216	241	283	305	457	521	559	635	762	838	914	991	1143	1245	1346	1397	1524	1727
H	120	150	180	235	250	280	320	390	420	555	600	635	710	750	800	865	915	980
(d)	49	62	74	100	150	201	252	303	334	385	436	487	589	633	684	735	779	874
W	400	400	600	600	600	600	800	800	800	800	800	800	800	1000	1000	1000	1000	1000

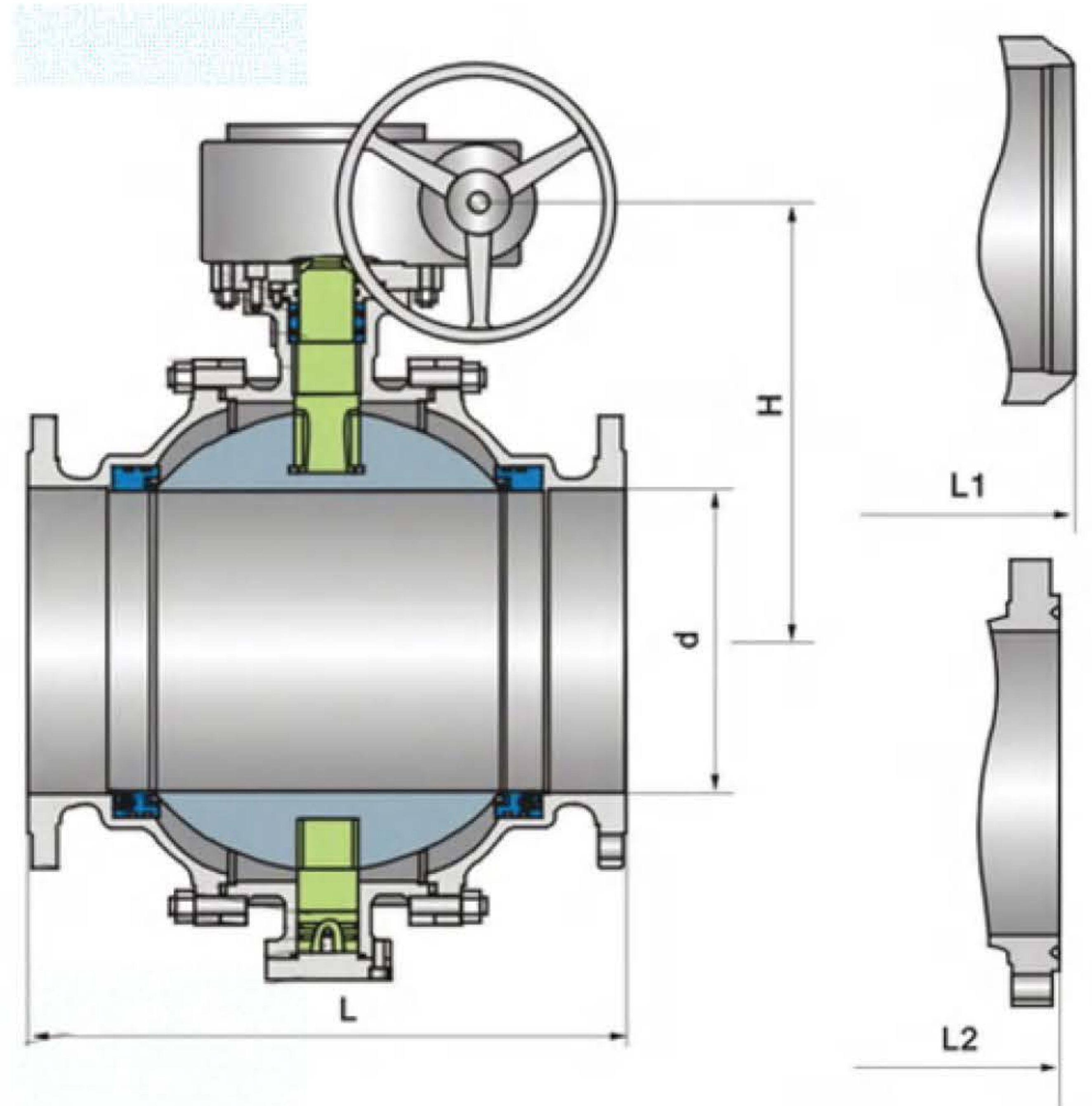
外形尺寸 Overall dimensions (mm)

ANSI Class 300Lb																		
NPS	2	2 1/2	3	4	6	8	10	12	14	16	18	20	24	26	28	30	32	
(RF) L	216	241	283	305	403	502	568	648	762	838	914	991	1143	1245	1346	1397	1524	
(BW)L1	216	241	283	305	403	521	559	635	762	838	914	991	1143	1245	1346	1397	1524	
H	120	150	180	235	250	280	320	390	420	555	600	635	710	750	800	865	915	
(d)	49	62	74	100	150	201	252	303	334	385	436	487	589	633	684	735	779	
W	400	400	600	600	600	600	800	800	800	800	800	800	800	1000	1000	1000	1000	

外形尺寸 Overall dimensions (mm)

ANSI Class 600Lb																
NPS	2	2 1/2	3	4	6	8	10	12	14	16	18	20	24	26	28	
(RF) L	292	330	356	432	559	660	787	838	889	991	1092	1194	1397	1448	1549	
(BW)L1	295	333	359	435	562	664	791	841	892	994	1095	1200	1407	1461	1562	
H	165	180	200	280	310	355	410	455	490	535	630	650	765	810	880	
(d)	49	62	74	100	150	201	252	303	334	385	436	487	589	633	684	
W	400	600	600	600	800	800	800	800	800	800	1000	1000	1000	1000	1000	

美标锻钢固定球阀



外形尺寸 Overall dimensions (mm)

ANSI Class900Lb													
NPS	2	2 1/2	3	4	6	8	10	12	14	16	18	20	24
(RF) L	368	419	381	457	610	737	838	965	1029	1130	1219	1321	1549
(BW)L1	371	422	384	460	613	740	841	968	1038	1140	1232	1334	1568
H	170	190	210	290	320	390	430	470	530	610	660	700	780
(d)	49	62	74	100	150	201	252	303	322	373	423	471	570
W	600	600	600	800	800	800	800	800	800	1000	1000	1000	1000

外形尺寸 Overall dimensions (mm)

ANSI Class 1500Lb											
NPS	2	2 1/2	3	4	6	8	10	12	14	16	
(RF/BW) LL1	368	419	470	546	705	832	991	1130	1257	1384	
(RTJ)L2	371	422	473	549	711	841	1000	1046	1276	1407	
H	170	190	210	290	330	400	440	560	640	690	
(d)	49	62	74	100	144	192	239	287	315	360	
W	600	600	800	800	800	800	800	1000	1000	1000	

外形尺寸 Overall dimensions (mm)

ANSI Class 2500Lb								
NPS	2	2 1/2	3	4	6	8	10	12
(RF/BW) LL1	451	508	578	673	914	1022	1270	1422
(RTJ)L2	454	540	584	683	927	1038	1292	1445
H	190	230	280	360	400	480	520	670
(d)	42	52	62	87	131	179	223	265
W	600	800	800	800	800	1000	1000	1000